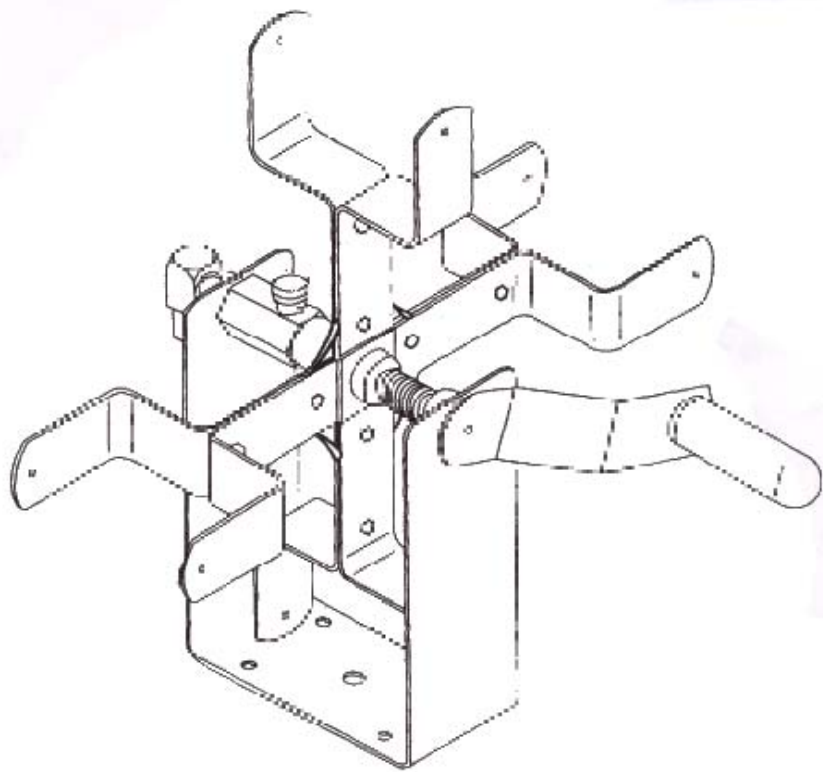




**ATD-31160**  
**MANUAL AIR HOSE REEL**  
**Instruction Manual**



## **CAUTION**

Read, understand and follow all instructions before using this hose reel. Within this manual are:

- Important safety instructions
- Assembly instructions
- Parts and hardware identification

## **SPECIFICATIONS**

Capacities: 100 feet 3/8" hose or 50 feet 1/2" hose

Maximum Pressure: 120PSI

Maximum Air Flow: 25CFM

## **SAVE THIS MANUAL**

You will need this manual for the safety instructions, assembly instructions, operating procedures and parts list. Put them in a safe, dry place for future reference.

## **SAFETY PRECAUTIONS**

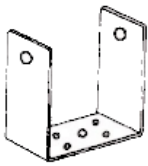

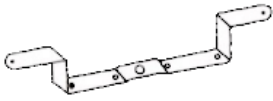
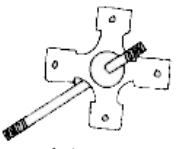




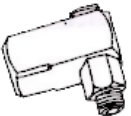


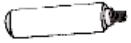





### **READ ALL INSTRUCTIONS BEFORE USING THIS TOOL**

1. **KEEP WORK AREA CLEAN.** Cluttered areas invite injuries.
2. **CONSIDER WORK AREA CONDITIONS.** Don't assemble in damp, wet, or poorly lit locations. Don't expose to rain. Keep work area well lit.
3. **KEEP CHILDREN AWAY.** All children should be kept away from the work area.
4. **USE THE RIGHT TOOL.** Don't force a small tool or attachment to do the work of a larger tool. Don't use a tool for a purpose for which it was not intended.
5. **USE EYE PROTECTION.** Use goggles that are ANSI approved against impacts and shattering.
6. **STAY ALERT.** Watch what you are doing and use common sense. Don't assemble or use when you are tired.
7. **REPLACEMENT PARTS AND ACCESSORIES.** When servicing, use only identical replacement parts. Only use accessories intended for use with this tool. Approved accessories are available to your warehouse distributor, mobile tool trucks or your retailer.
8. **READ ALL MANUALS REGARDING AIR TOOLS YOU ARE USING.** Make sure to obey all noted precautions regarding the use of hoses, tools and fittings when using your new reel.
9. **DO NOT WRAP HOSE AROUND ANY PART OF BODY.** Use reel to coil hoses, not your arms, if hose should become pressurized when wrapped around body parts. It will cause severe bodily damage, up to and including amputation, strangulation and death.

## **UNPACKING**

When you receive your new Air Hose Reel, it will be disassembled. Check to insure that you have received the following loose parts. Contact us if any parts are missing.

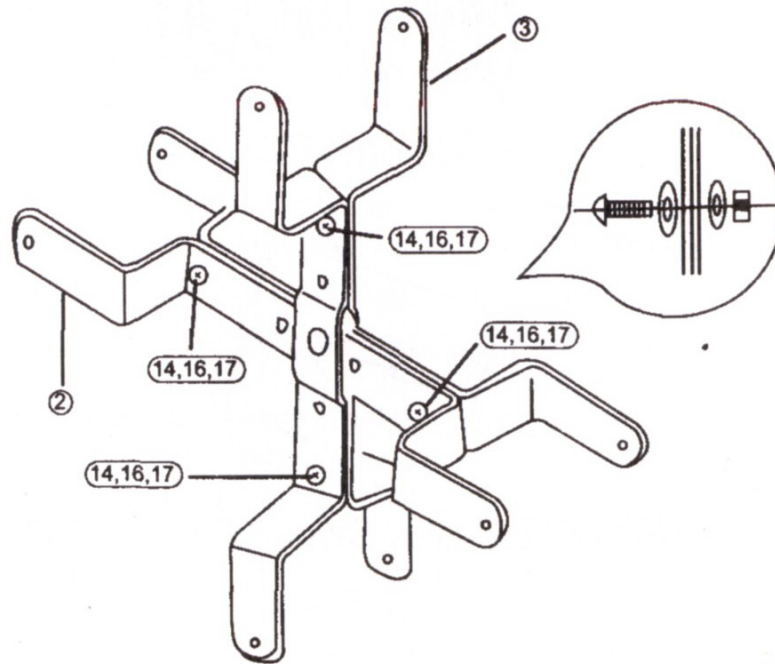
## ATD-31160

- |   |  |  |
|---|--|--|
| <p>① <br/>Base (1PC)</p> <p>② <br/>Flat Center Spoke (2PC)</p> <p>③ <br/>Offset Center Spoke (2PC)</p> <p>④ <br/>Axle (1PC)</p> <p>⑤ <br/>Handle Shaft (1PC)</p> <p>⑥ <br/>Hexagon Adapter (1PC)</p> | <p>⑦ <br/>Plastic Cap(2PC)</p> <p>⑧ <br/>Spring (1PC)</p> <p>⑨ <br/>1/4" NPT Brass Swivel Elbow (1PC)</p> <p>⑩ <br/>Large Washer (2PC)</p> <p>⑪ <br/>Retaining Ring (1PC)</p> <p>⑫ <br/>Dipped Handle (1PC)</p> <p>⑬ <br/>Large Locknut (1PC)</p> | <p>⑭ <br/>Short Bolt (4PC)</p> <p>⑮ <br/>Long Bolt (4PC)</p> <p>⑯ <br/>Small Locknut (8PC)</p> <p>⑰ <br/>Small Washer (16PC)</p> |
|---|--|--|

ORDERING PART#	ITEM#	PART DESCRIPTION
PRT31160-01	1	BASE
PRT31160-02	2	FLAT CENTER SPOKE (2 pcs)
PRT31160-03	3	OFFSET CENTER SPOKE (2 pcs)
PRT31160-04	4	AXLE
PRT31160-05	5	HANDLE SHAFT
PRT31160-06	6	HEXAGON ADAPTER
PRT31160-07	7	PLASTIC CAP (2 pcs)
PRT31160-08	8	SPRING
PRT31160-09	9	1/4" NPT BRASS SWIVEL

ORDERING PART#	ITEM#	PART DESCRIPTION
PRT31160-10	10	LARGE WASHER (2 pcs)
PRT31160-11	11	RETAINING RING
PRT31160-12	12	DIPPED HANDLE
PRT31160-13	13	LARGER LOCKNUT
PRT31160-14	14	SHORT BOLT (4 pcs)
PRT31160-15	15	LONG BOLT (4 pcs)
PRT31160-16	16	SMALL LOCKNUT (8 pcs)
PRT31160-17	17	SMALL WASHER (16 pcs)

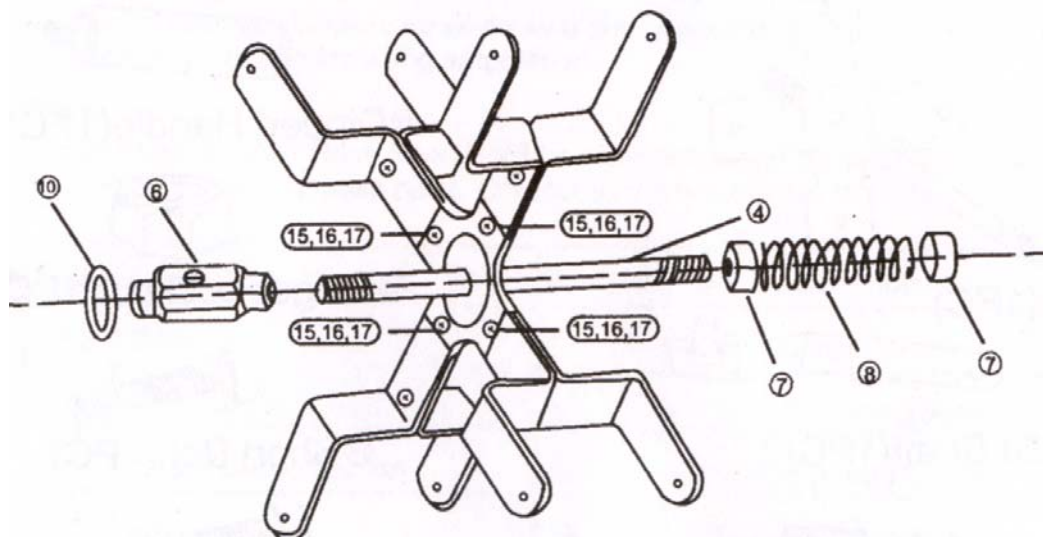
## **ASSEMBLY INSTRUCTIONS**



**1:** Unpack and inspect all Air Hose Reel components. Make sure all parts listed above are enclosed.

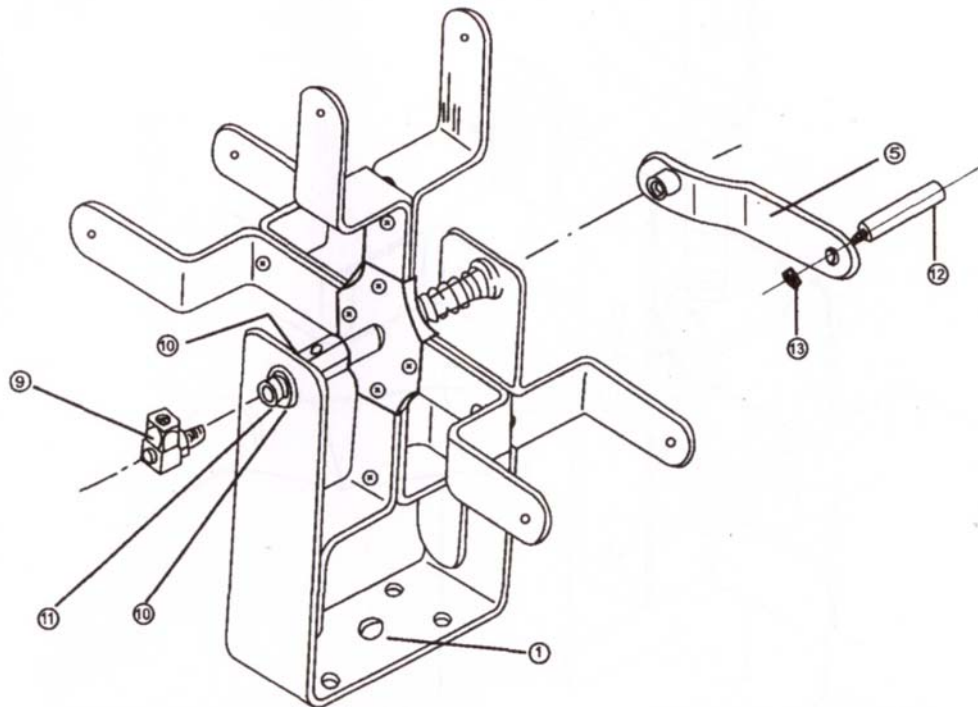
**2:** Assemble two Flat Center Spoke (#2) with two Short Bolts (#14), two Small Locknuts (#16) and four Small Washers (#17) into the holes near open end of spoke. Do not tighten them.

**3:** Assemble two Offset Center Spoke (#3) with one Short Bolt (#14), one Small Locknut (#16) and two Small Washers (#17) into a outside hole. Insert assembled Flat Center Spokes (#2) into Offset Center Spokes (#3). Install another bolt, locknut and washers. Do not tighten them.



**4:** Align larger center holes and insert the Axle (#4). Install four Long Bolts (#15), four Small Locknuts (#16) and eight Small Washers (#17) into four inside holes. Tighten all bolts and locknuts securely.

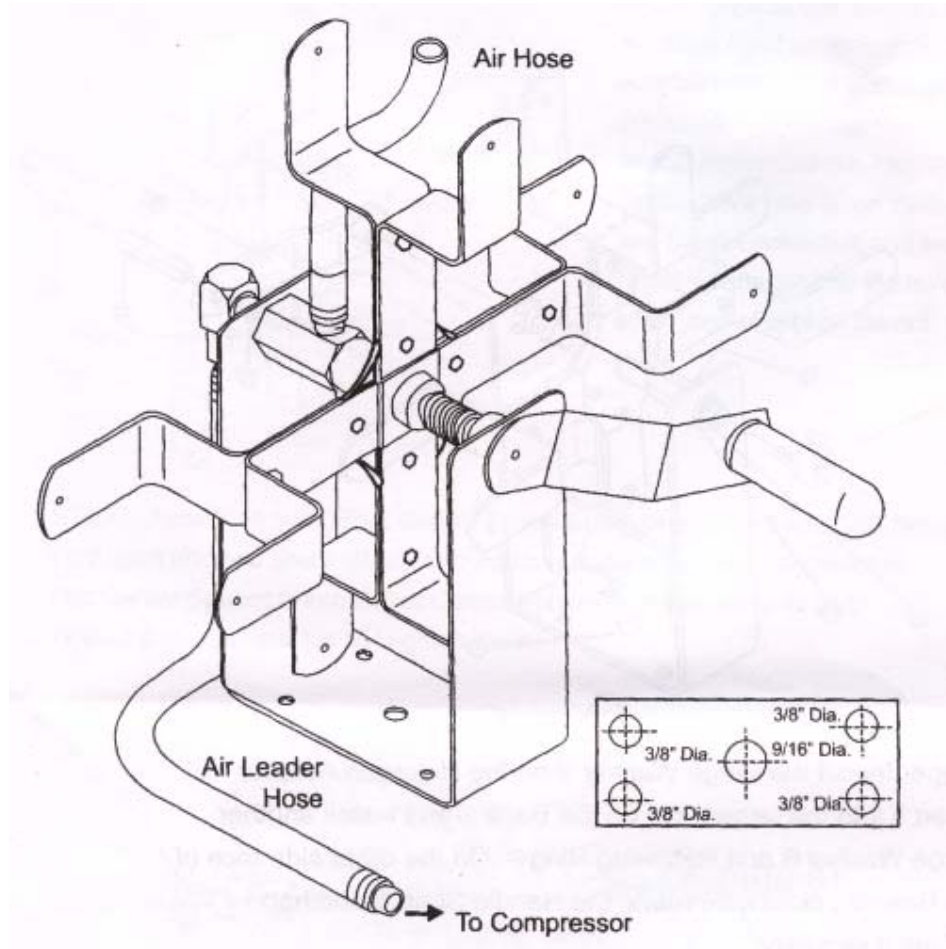
**5:** Rotate the Hexagon Adapter (#6) clockwise into the longer end of the Axle (#4) with the normal thread (Not the ¼" NPT threaded end) and tighten it securely. On the opposite short end, install plastic Cover (#7), Spring (#8) and plastic Cap (#7) one by one.



**6:** Install the Large Washer (#10) on the Hexagon Adapter. Insert it into the larger hole on the Base (#1) and install another Large Washer (#10) and Retaining Ring (#11). On the other side face of the Base (#1), clockwise rotate the Handle Shaft (#5) and hand tighten it securely.

**7:** Install the Dipped Handle (#12) with Large Locknut (#13) and tighten.

**8:** Use pipe thread sealant to seal joint of ¼" NPT Brass Swivel Elbow (#9) and install carefully into the air inlet of the Hexagon Adapter (#6). Tighten carefully.



**9:** Install your Air Hose Reel in a secure manner at the four attachment holes or the center Hole provided by the bottom of Base (#1).

**10:** Attach one end of the air leader hose to  $\frac{1}{4}$ " NPT Brass Swivel Elbow (#9), the other end to the compressor.

**11:** Attach the air hose to air outlet of Hexagon Adapter (#6). Reel may be used right or left handed depending upon the direction of the air hose wrap. Do not make a sharp bend in air hose; connect your air tool with the other end of air hose.