



Frame Straightening Equipment, Inc

7087 - Horizontal Pinchweld Adapters

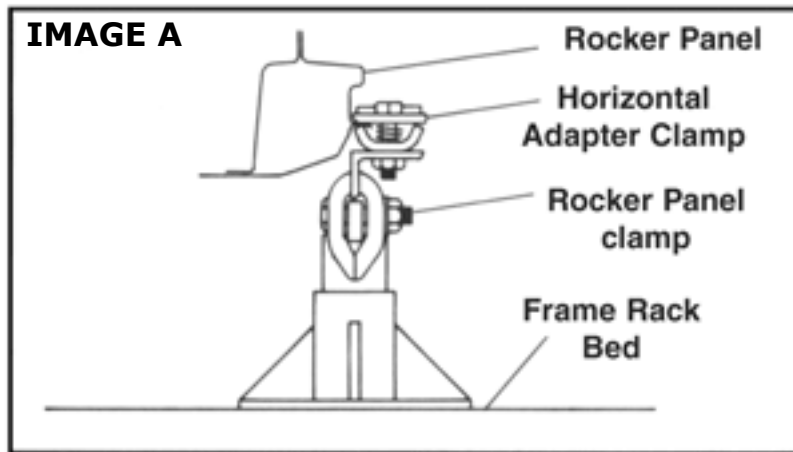
Patent Pending

Made In USA



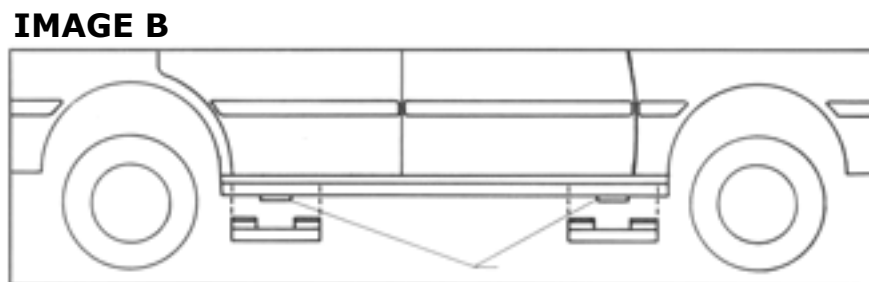
Auto Body Toolmart
Champ Frame Straightening Equipment, Inc.
2545 Millennium Dr. • Elgin, IL 60124 • (800) 382-1200
www.autobodytoolmart.com

Instructions



The cutaway view (Image A) shows how the Champ Horizontal Pinch Weld Adapters fasten to any standard vertical rocker clamp on all holding systems. The 1990 Honda Accord has a horizontal pinch weld instead of the normal vertical pinch weld found on the rocker panels of most vehicles. There are 4 small lifting tabs which appear as vertical pinch welds. These small tabs are externally mounted pieces of sheet metal which are intended as jacking points for the car.

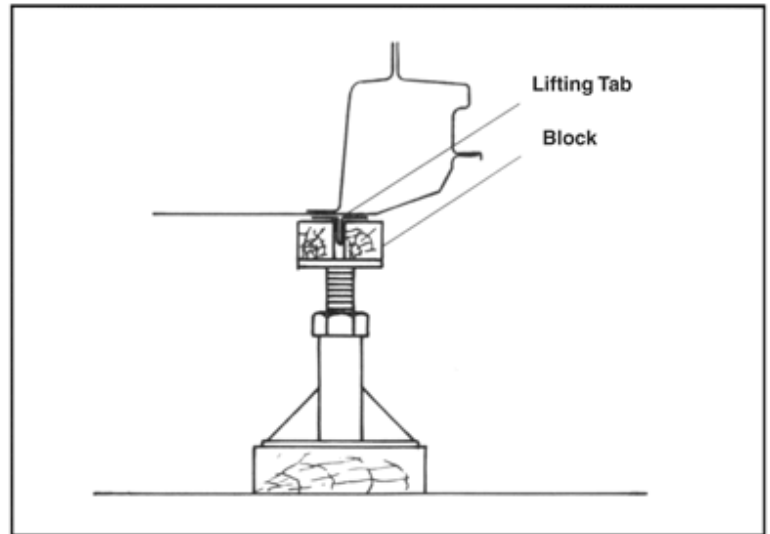
WE DO NOT RECOMMENDED ATTEMPTING A HEAVY PULL FROM THESE TABS BECAUSE THEY WILL FAIL UNDER LOAD.



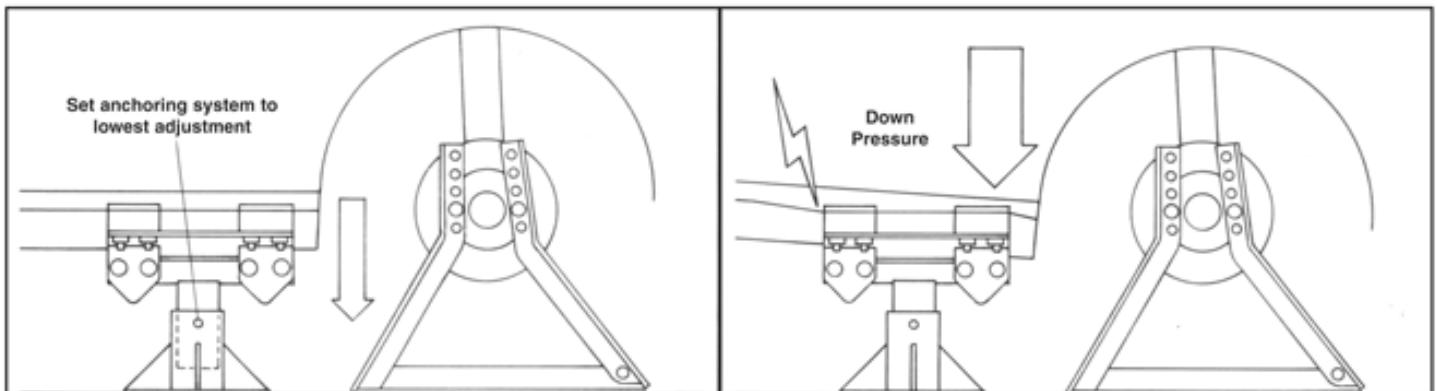
Locate each adapter so it straddles each lifting tab equally (Image B). This will provide a vertical flange long enough for a double-jaw rocker clamp on each torque box area.

DO NOT INSTALL ADAPTERS BETWEEN THESE AREAS. Make sure to install all 4 adapters for adequate distribution of loads.

Instructions (cont'd)



WARNING! Incorrect hookups can result in damage to vehicle and/or anchoring system



Set anchoring system to lowest setting to keep the center of gravity as low as possible. Use of wheel supports will determine correct height to set anchoring system.

*****DISCLAIMER*****

Auto Body Tool Mart is not responsible for accidents and/or damage due to the misuse of this product.