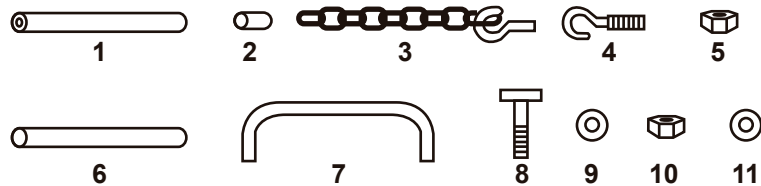
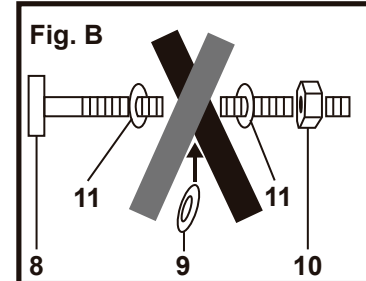
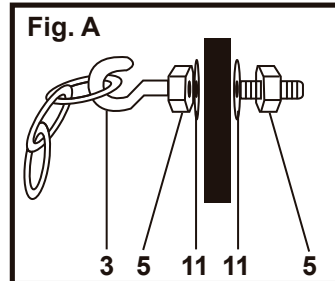
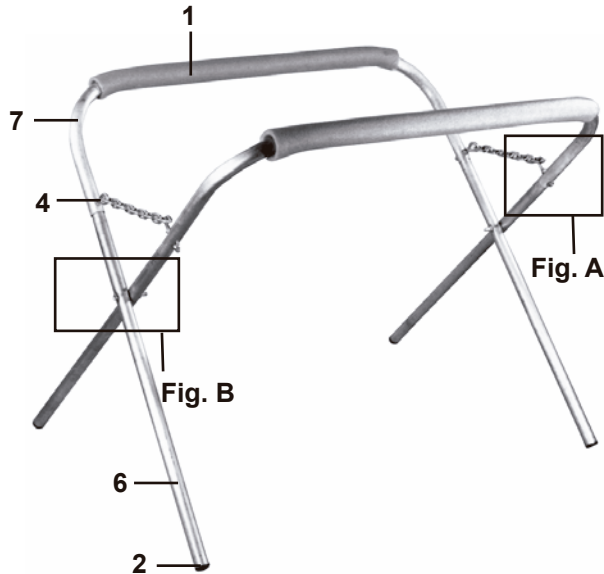


PARTS BREAKDOWN

Call 1.800.221.9705 for questions concerning performance of the product or other inquiries.



Parts List

Index No.	Part No.	Description	Qty
1	557003-01	Foam Pad	2
2	557003-02	Rubber Cover	4
3	557003-03	Chain with Eye Bolt	2
4	557003-04	Eye Hook	2
5	557003-05	Hex Nut M8	8
6	557003-06	Leg Tube	4

Index No.	Part No.	Description	Qty
7	557003-07	Frame Top Tube	2
8	557003-08	Bolt M8 x 65mm	2
9	557003-09	Washer M8 x 30 x 3mm	2
10	557003-10	M8 Lock Nut	2
11	557003-11	Washer M8 x 16 x 1mm	12

Assembly Instruction

Metal edges can be sharp, please use extreme caution during assembly.

1. Attach Rubber End Caps #2 to four legs # 6.
2. Slide Foam Pad (#1) onto Frame Tops (#7) then slide Leg Tubes (#6) into Frame Tops (#7), match up holes
3. Screw Hex Nut (#5) onto Eye Bolt (#3) most of the way, add a flat washer (#11) push eye bolt thru holes of leg tube (#6) and Frame Top Tube (#7) assembly (See Figure A). Assemble so that the Eye Bolt is on the inside of the work bench, add a second Flat Washer and Hex Nut and tighten snugly. Repeat the same steps for the second set of Legs. When complete and the Work Bench is assembled, the Eye Bolts (#3) will be on opposite sides facing inwards.
4. Slide Leg Tubes (#6) into Frame Top Tubes (#7) twist legs until the holes are aligned. Assemble Eye Hooks (#4) duplicating the same assembly process as in (#3), all Eye Bolts and Eye Hooks are facing inward when complete. When the Work Bench is assembled, the chains with Eye Bolts and Eye Hooks will be on opposite sides facing inwards.
5. Set up both parts of the stand so that the Eye Bolts with Chains (#3) and Eye Hooks (#4) are on opposite sides facing inside of work bench. Attach Eye Bolts Chains to Eye Hooks on the opposite sides of the Work Bench. Attach both halves (#6) together with a Bolt (#8) a flat washer (#11) and a special Washer (#9) inserted between both legs (See assembly figure B). And, finally put a third flat washer before adding Lock Nut (#10) onto the bolt. Repeat the same assembly for the other side.
6. Last, tighten all fasteners when completely assembled. Do not over tighten as the tubing can crush.



Please make sure the chains and hooks assemblies on both sides of the stand are adjusted to equal lengths. See Figure C.

