

# 4038 Champ Tire Rack

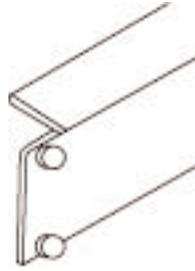


Begin by unpacking and identifying parts. There are four different types of steel members:



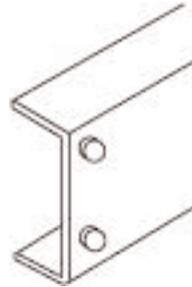
### Upright post

One at each corner.  
Small end of hole  
points down



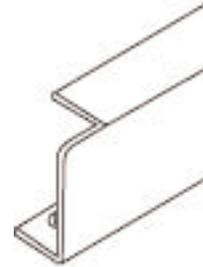
### End Angle

Use front to back  
between upright posts



### Long Beam

Use left to right  
between upright posts



### Intermediate Support

Use front to  
back - bolts  
to bottom flange of  
long beams

## General Sequence

1. Make upright frames by installing end angles to upright posts.
2. Install long beams at same level as end angles. (See Shelf Panel Note, below.)
3. Bolt intermediate supports to long beams.

### Step 1

With mallet or hammer drive end angles into topmost and lowest positions on post. Then determine other shelf positions and drive down end angles in these locations. For file box storage units, upper shelves are 26" down from each other, measured top to top. Make sure both ends of the angle are at the same level by reference to small round post holes on 6" centers.



Step 1

### Step 2

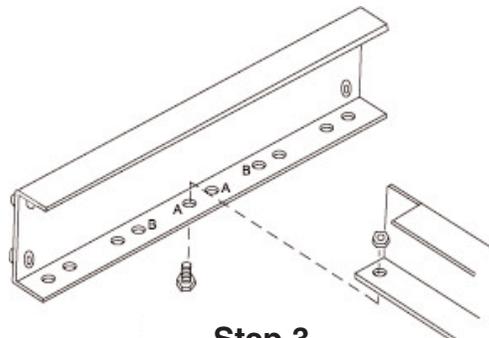
Insert and drive down long beams front and back at same levels as end angles. Tops of beams are plain. Holes are in bottom flange only. Don't put them upside down! Start with bottom beams first and work upward. (See Shelf Panel note, below.)



Step 2

### Step 3

If used, attach intermediate supports to bottom flanges of beams one bolt each end. For one intermediate support per shelf, bolt in either of holes A. For two intermediate supports per shelf, use holes "B"



Step 3