



USER MANUAL

UG4000 SERIES: UG4000D, UG4000E, UG4500E, UG4000FS AUTOMATIC SPRAY GUN CLEANERS



CORPORATION

WWW.UNIRAM.COM

- 381 Bentley Street, Markham ON L3R 9T2
- Tel. 1-800-417-9133
- sales@uniram.com

REV 2020-09

INTRODUCTION

Uni-ram holds many patents on designs used in its innovative products. Every machine is tested for compliance with Quality Assurance standards. Follow the directions in this manual under Setup, Operation and Maintenance in order to operate this machine safely and effectively. Not following these instruction can lead to malfunction or damage to the machine. Ensure that the manual is readily available for the operator at all times. If you have any questions about the operation of this machine, call Uni-Ram Service Engineer at 1-800-417- 9133.

MODEL	UG4000D	UG4000E	UG4500E	UG4000FS	UG4000DVM
HOSE CLEANING			YES		
MANUAL WASH SPIGOT					
MANUAL RINSE WITH SPIGOT				YES	
COMBO READY		YES	YES	YES	
WASH SOLVENT PAIL	INCL	INCL	INCL	INCL	INC
RINSE SOLVENT PAIL	REQUIRED, NOT IN- CLUDED	INCL	INCL	INCL	REQUIRED, NOT IN- CLUDED
OVERFLOW TUBE AND RISER	NOT RE- QUIRED			INCL	NOT RE- QUIRED
SHIPPING SIZE (WDH)	28 X 17 X 45 inches 71 X 43 X 114 cm				
SHIPPING WEIGHT (LB / KG)	90 / 41	90 / 41	90 / 41	90 / 41	

COMMON FEATURES

- Automatic Wash, Automatic Air Flush, Automatic Solvent Rinse.
- Flow-through Brush for manual washing. Flow Control.
- Clean 2 Spray Guns and 2 Pots at the same time.
- Stainless steel inlet filter, located at the end of the suction hose, prevents debris from reaching the pump and wash pail.
- 14 Cleaning Jets with swirl action.
- Shipping Size and Weight: 28" W x 17" D x 42" H, 91 LBS 41 KG.

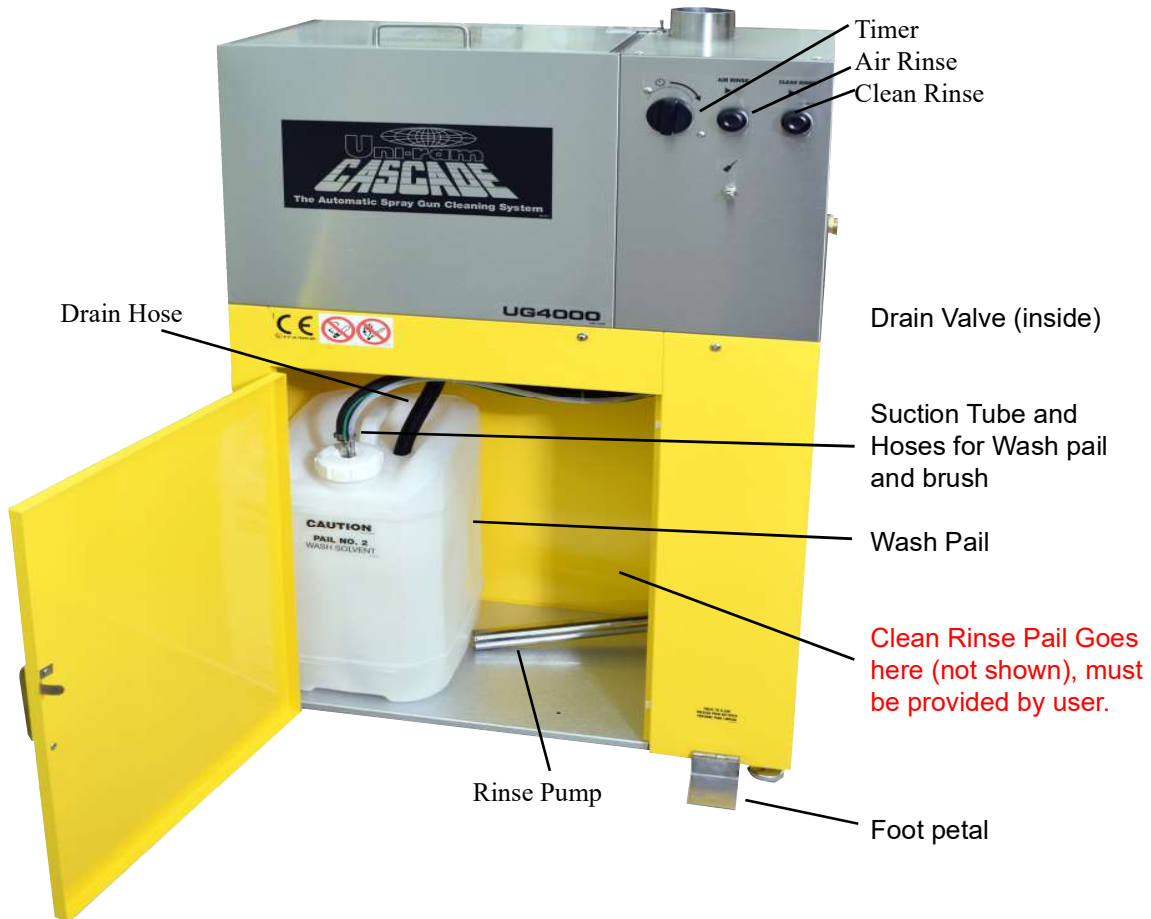
CAUTIONS AND WARNINGS

- Always disconnect this machine from power sources before performing maintenance.
- **Do not smoke or use near open flames, sparks or heat.**
- **Make sure all ground wires are connected and that unit itself is grounded properly.**

SAFETY EQUIPMENT

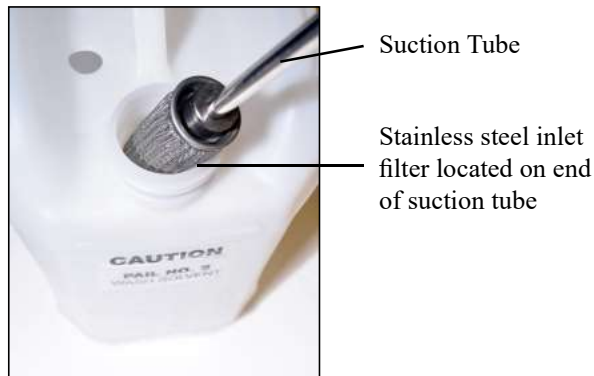
- Wear safety eyewear, respiratory protection and protective clothing.
- Wear deluxe extended length neoprene gloves; SAS PN 6588 or Thicksters PN 6602-20 through 6605-20.

UG4000D



Wash Pail - Closeup view of Inlet Filter

Note 1: The stainless steel inlet filter, located at the end of the suction tube, prevents debris from reaching the pump and wash tank. See the section on Maintenance for cleaning of the stainless inlet filter.



SETUP

DELIVERY INSPECTION

- Inspect the shipping carton for any sign of transport damage. Carefully remove the unit from the shipping carton and check the unit for damage. Report any transport damage immediately to the carrier and to Uni-ram Corporation. Initiate a freight claim with the carrier. The manufacturer is not responsible for the freight damage.

Bag of accessories contains the following:

- Manual
- Push on nozzle extension for disposable cup system or conventional cup system(110-430PPS).
- Push on nozzle extension for conventional cup system(110-430).
- Kit-Plug, Trigger Lock Spring, 2 in a package (140-2340).

LOCATION

Position the unit in a well-ventilated area away from sparks, heat and open flames, at least 6 " from the back wall.

AIR SUPPLY

- Connect a male air supply adapter (not supplied) into the female Air Inlet on the unit. The male air supply adapter is 1/4" NPT.
- Connect the female air supply hose to the adapter. The air supply hose must be at least 3/8" inside diameter. **The air supply pressure must be at least 85 PSI and the supply air must be free from contaminants such as water, dust, rust, tar and grease. If the air supply is not clean and dry install a moisture filter. The operation and longevity of the pump and other components depends on clean dry supply air.**
- To prevent damage to the Diaphragm Pump an internal Air Pressure Regulator has been installed to limit the air pressure to 85 PSI. Do not install a second air pressure regulator or use a pressure set below 85 PSI.

GROUNDING

- Connect the green ground wire at the back of the unit to a ground in the building using the ring terminal on the ground wire.

Note: The pump and metal tube that inserts into each pail are grounded.



Ring Terminal

SOLVENT SELECTION

The adhesion quality of automotive paint has dramatically improved in recent years. The choice of solvent is critical. Only use good quality solvent that is formulated for your paint and intended for use with automatic spray guns cleaners. **DO NOT USE CHLORINATED SOLVENT.**

- Use quality, compliant solvent such as Naked Gun Gold or equivalent solvent.

PAIL SETUP

The pail setup for the UG4000D is described first, followed by the pail set up for the UG4000E and UG4500E.

PAIL SETUP - UG4000D

- Open the cabinet door.
- The spray gun cleaner comes with one plastic pail. The black drain hose and suction hose are inserted into the plastic wash pail. See the photo of the unit below. The stainless steel inlet filter is located at the end of the suction hose and prevents debris from reaching the pump and wash tank. See the photo of the filter below. Clean the filter monthly. The procedure to clean the filter is described in the Section, MONTHLY MAINTENANCE.

- Open the drain valve located inside the cabinet. Rotate handle to the vertical position. (see photos on right) Pour 3 gal (12 L) of solvent into the wash tank to fill the wash pail.

cabinet



Open



Closed

- The customer provides the second the second pail with 5 gallons of solvent. This is the "Clean" pail. The opening on the pail must be not larger than 2". The pail must be a pail approved for solvent such as one received from your solvent supplier or a HDPE pail similar to the wash pail in the unit. Insert the rinse pump into the opening and place the 5 gallon pail of solvent in the cabinet on the right side. The rinse pump is stainless steel and located in the bottom of the cabinet.
- Check to ensure the Drain Valve is in the open position (handle in vertical position) and drain hose is in the (left) pail.



Drain hose

Suction tube and hoses

Rinse Pump



Stainless steel inlet filter located on end of suction tube

PAIL SETUP - UG4000E and UG4500E
GUN CLEANER - SOLVENT RECYCLER COMBINATION UNITS



1 2 3 4 5 6 7 8 9 10 11 12 13

ITEM	DESCRIPTION	ITEM	DESCRIPTION
1	GROUND WIRE	8	OVERFLOW TUBE
2	TRANSFER OUT HOSE TO RECYCLER	9	RINSE PUMP
3	DRAIN HOSE	10	AIR SUPPLY FOR RINSE PUMP
4	SUCTION TUBE FOR FLOW-THROUGH BRUSH	11	GROUND WIRE
5	SUCTION TUPE FOR AUTO WASH	12	CLEAN PAIL
6	WASH PAIL	13	TRANSFER IN HOSE FROM RECYCLER
7	DRAIN VALVE HORIZONTAL=CLOSED)		

PAIL SETUP - UG4000E and UG4500E

- Combo Ready units (UG4000E and UG4500E) come with the pails already installed as shown. Transfer Hoses are provided with Uni-ram Solvent Recyclers designed for Combo operation.
- Fill the Wash Pail with about 3 Gal (12 L) of clean solvent.
- Fill the Rinse Pail with about 5 Gal (19 L) of clean solvent (about 1" below the overflow pipe).
- After setting up the pails, make sure the Drain Valve is open (handle is in the vertical position).

PRE-CLEAN - DISPOSABLE CUP

Disconnect the spray gun from the air hose.

- Squirt solvent into the disposable cup adapter, shown in photo on far right.
- Pull the gun's trigger to flush the solvent through the fluid channel and into the paint waste container (not supplied) for later disposal.



Pre clean Fluid Passageway

PRE-CLEAN - CONVENTIONAL CUP

Disconnect the spray gun from the air hose.

- Disconnect the cap and pour the paint waste into a paint waste container (not supplied).

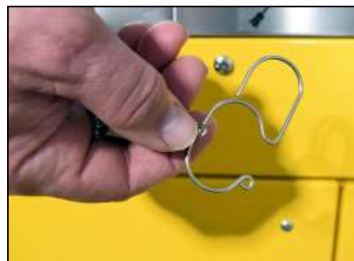
CLEANING SPRAY GUNS AND CUPS

- Remove digital air gauge if so equipped.
- Loosen the air cap of the spray gun two full turns.
- Lock the trigger in the open position with the Trigger Lock Spring.

See photos below.



Remove Gauge



Trigger Lock Spring



Trigger Lock Spring On Spray Gun



Brush

Cap points to the corner jets

Air Plug

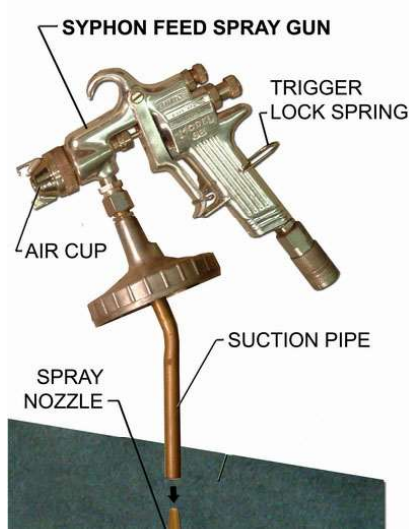
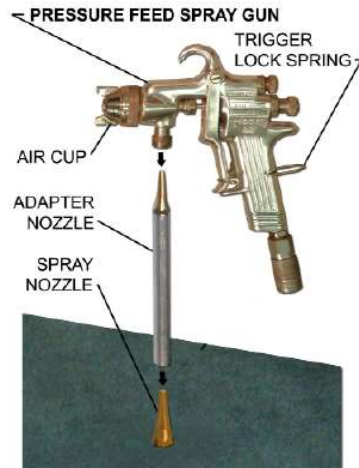
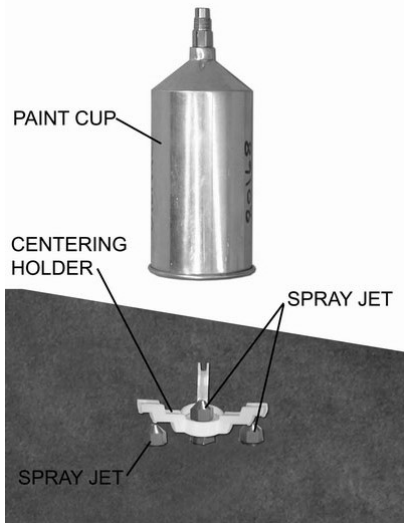
Location for Push On Nozzle Extension for second spray gun

INSTALLING SPRAY GUNS IN TANK

- Place the spray gun on the nozzle with the cap facing the corner. See photo on right and photo above.



Placing Spray Gun on Nozzle Extension



PREVENT SOLVENT FROM ENTERING THE AIR PASSAGE OF SPRAY GUN:

- Insert the plastic plug into the air fitting as in the photo below.
- Positive air will flow through the passage way during cleaning.



Air Plug inserted into the Air Passage way of the spray gun

- If you disconnect the air plug from your spray gun attach the knurled nut on the chain with the trigger lock spring to the air passageway of the spray gun.

Cleaning Cycle:

- Close the lid of the spray tank and turn the "Auto Wash Timer" clockwise. See photo below. The wash cycle takes about 60 seconds.
- Push and hold the "Air Rinse" button for about 5 seconds to evacuate the wash solvent and air rinse the spray guns. See photo below.
- Press and hold the "Clean Rinse" button for about 5 seconds to send 100 cc of clean solvent through the jets to rinse the the spray guns. See photo below.

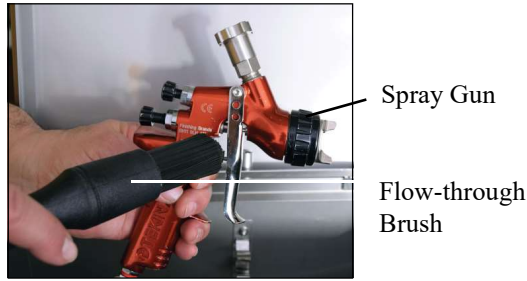


MANUAL WASH

- Open the lid and remove the brush from its holder on the back wall of the wash tank.
- Step on the foot pedal. A dedicated pump delivers wash solvent through the Flow-through brush. To control the flow of solvent through the Brush, adjust the Flow Control, also on the front of the unit.

CONTROL OF FLOW FOR FLOW-THROUGH BRUSH

- See photo above. To increase flow, loosen the locking nut, rotate the dial anti-clock wise, and tighten the locking nut.



Flow-through Brush washing a spray gun

MAINTENANCE

- Clean the stainless steel inlet filter each month.

Procedure:

Follow step 1 and step 2 below under REPLACING SOLVENT.

Lift the suction pipe from the wash pail, (see the left photo below) unscrew the stainless steel filter from the nut and clean it with clean solvent in a mixing cup. See the right photo below.



Remove Suction Pipe and Filter



Clean Filter

REPLACING SOLVENT

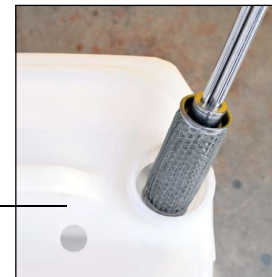
- Replace the wash solvent when the solvent has lost cleaning effectiveness or after approximately 100 cleanings.
- 1) Remove the clean pail from the cabinet and then remove the rinse pump from the clean pail.
 - 2) Close the drain valve (left photo below). Remove the drain hose and suction pipe from the wash pail and take pail out of the cabinet. See middle and left photo below.
 - 3) Pour used wash solvent from the wash pail into the waste drum. Return wash pail to the cabinet and insert drain hose and suction hose. Pour 3 gal (12 L) of fresh solvent into the cleaning tank to drain to the wash pail. Top up Clean Solvent pail to 5 gal. (19 L) and return rinse pump and pail to the cabinet.



Drain Valve



Suction pipe with inlet filter and drain hose is located in wash pail.



Suction pipe with Inlet filter

Clean Pail

Wash Pail

TROUBLE SHOOTING

PROBLEM	REASON	CORRECTIVE ACTION
WASH PUMP MAKES PUMPING SOUND BUT LIQUID DOES NOT FLOW FROM THE JETS	Drain valve closed	Open drain valve (put in vertical position), if not already open
	Liquid level too low	Check wash liquid level. Add liquid if less than 1/2 full.
		Fill to 4 gal (11 L).
	Debris in pump or suction and output hose	Follow Procedure 1, "Blocked Fluid Passage in Diaphragm pump" in the next section.
WASH PUMP MAKES HISSING SOUND AND LIQUID DOES NOT FLOW	Water or contaminants are in air line of pump.	Passage in Diaphragm Pump" in the next section.
	Flow Control is closed.	Manual flow control is located on the control panel on the front of the machine. Loosen the locking nut and rotate control to the left to increase flow.
	Liquid level too low	Check wash liquid level. Add liquid if less than 1/2 full up to 4 gal (11 L).
	Brush is clogged with debris.	Unthread brush from hose and operate foot pedal. If free solvent flow is now seen, replace brush with PN 144-390S
BRUSH PUMP DOES NOT MAKE A NOISE AND LIQUID DOES NOT FLOW WITH PEDAL DEPRESSED	Foot pedal switch not functioning	Inspect foot switch for free travel, and lubricate with gun oil. If switch will not travel freely, replace with PN 155-400BF2
	Water in air line causes pump to stall	Follow Procedure 2. "Blocked Air Passage in Diaphragm Pump" in the next section.
WASH PUMP DOES NOT STOP UNLESS TIMER IS TURNED BY HAND OR AIR IS SHUT OFF. WASH PUMP DOES NOT START.	Defective Timer	Replace Timer, PN 115-200K.
TIMER KNOB SPINS BACK WHEN TURNED	Defective Timer	Replace Timer. PN 115-200K.

Trouble shooting continued		
SYMPTOM	REASON	CORRECTIVE ACTION
INSIDE WALL OF TANK IS COATED WITH PAINT EVEN THOUGH OPERATOR MAINTAINS TANK	Liquid lacks cleaning strength	Replace solvent / water and AQUA-KLEEN in pail. Consider a solvent that is formulated for type of paint used and for use with automatic spray gun cleaning.
GUNS NOT CLEAN, PUMP WORKING, SOLVENT FLOW NORMAL	Trigger not locked in open position	Use Trigger Lock Spring PN 120-350
	Spray gun is not properly installed on to nozzle	Re-install with proper adapter
	Incompatible solvent	solvent formulated for type of paint
	Low pressure in air supply	of 85 PSI
	Plugged jets	through the jets. If not successful,
SOLVENT APPEARS RED or ORANGE	Water in solvent is corroding metal pail	Replace or recycle wash solvent
GUNS NOT CLEAN, WASH SOLVENT IS MILKY WHITE	Wash solvent is contaminated with water	Replace or recycle wash solvent
CLEAN RINSE DOES NOT WORK	Not enough liquid in clean rinse pail (right side)	Add liquid
	Rinse Pump is leaking from a crack caused by corrosion due to acidic or chlorine contaminated solvent	Replace rinse pump, PN URP-100SF
CLEAN RINSE IS DIRTY	Faulty Valve	Replace Combination Valve, PN UVB-400KIT

TROUBLESHOOTING PROCEDURES PROCEDURE 1

Blocked Fluid Passage In Diaphragm Pump

If the pump sounds like it is working but liquid does not flow, clear the fluid passage as follows:

- Remove suction tube from the pail and blow air at 85 PSI into the INLET Liquid Hose (see diagram). Step on foot pedal to activate pump. This procedure may have to be repeated several times. If this procedure does not help, blow some water into the suction hose using a spray gun, wait one minute and step on foot pedal to activate pump. This procedure may have to be repeated several times. If this procedure does not work, the pump must be replaced.

If you need to replace the pump log-on to Service Channel and Fixxbook or call the Uni-ram Service Engineer.

The warranty on the diaphragm pump is two years from date of purchase.



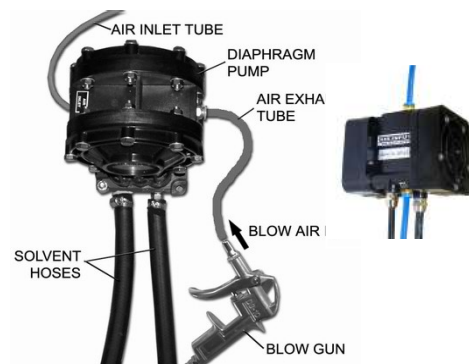
This procedure will also clear a blockage in the fluid line for the brush. Follow the same procedure to clear a blockage in the automatic nozzle except turn the timer instead of stepping on the foot pedal.

PROCEDURE 2

Blocked Air Passage In Diaphragm Pump

If there is a steady hissing sound and the pump is not cycling, the spool valve has stalled due to a blocked air passage. Follow the procedure below to clear the blockage.

- Connect a blow gun to an 85 PSI source. Locate the blue hose that extends from the air exhaust port of the diaphragm pump. Use a blow gun to blow air into the open end of this hose. Turn timer. If the procedure is successful, the pump will start working. The procedure may have to be repeated several times. If this procedure does not work, replace the pump.
- Cause:** Contaminants in the air supply (water, oil, solid particles etc)
- Preventative Action:** If necessary, install an Airline (Moisture) Filter.



PROCEDURE 3

Blocked Passage in Air Line

The components in the air line are the **diaphragm pump, air valve, foot pedal, 3-way ball valve and regulator. See the Flow Diagram and the section: Replacement Parts.**

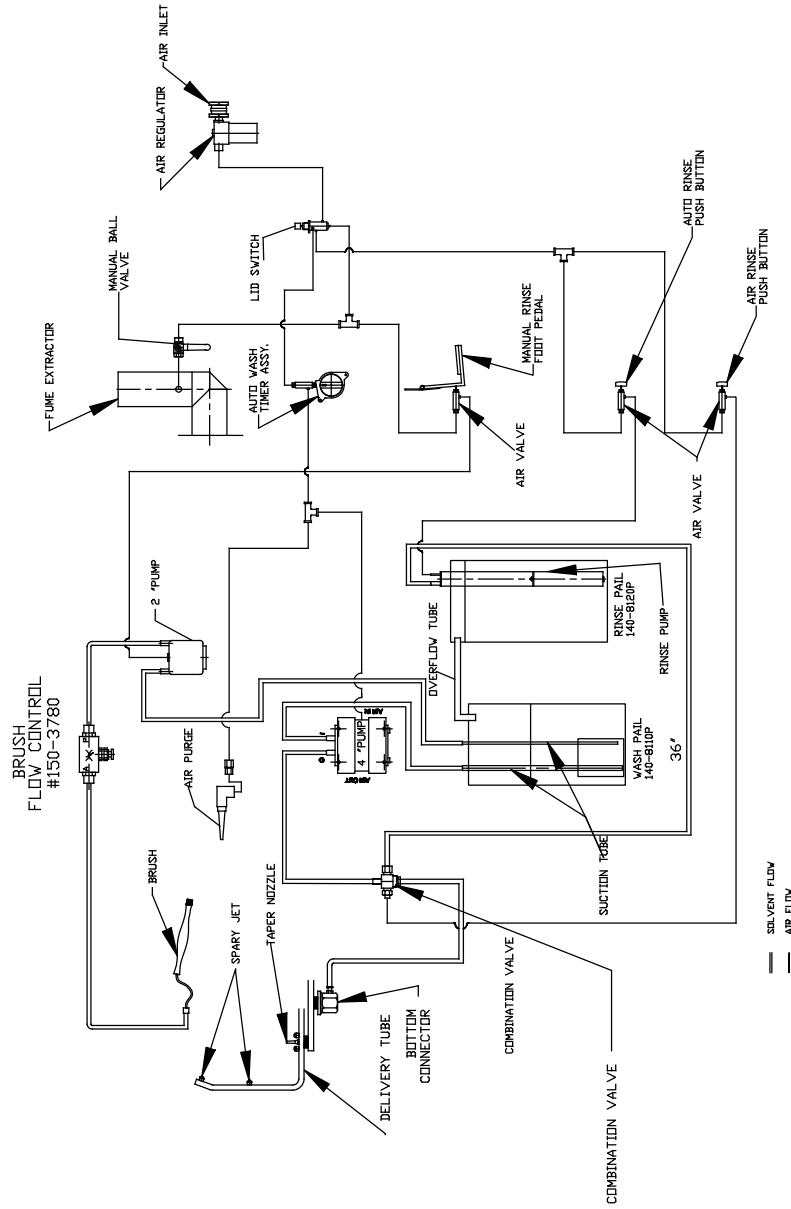
To troubleshoot a component:

- 1) Disconnect the air line to the component using the quick disconnect.
- 2) Step on foot pedal and check for presence of positive air pressure in the air line. If there is ample positive air pressure, replace the component.

If air pressure is absent, there is a faulty component upstream. Reconnect the air line and check the operation of the next component upstream by following steps 1 and 2 above.

UG4000D FLOW DIAGRAM

Use the diagram to trace the flow of compressed air and solvent.

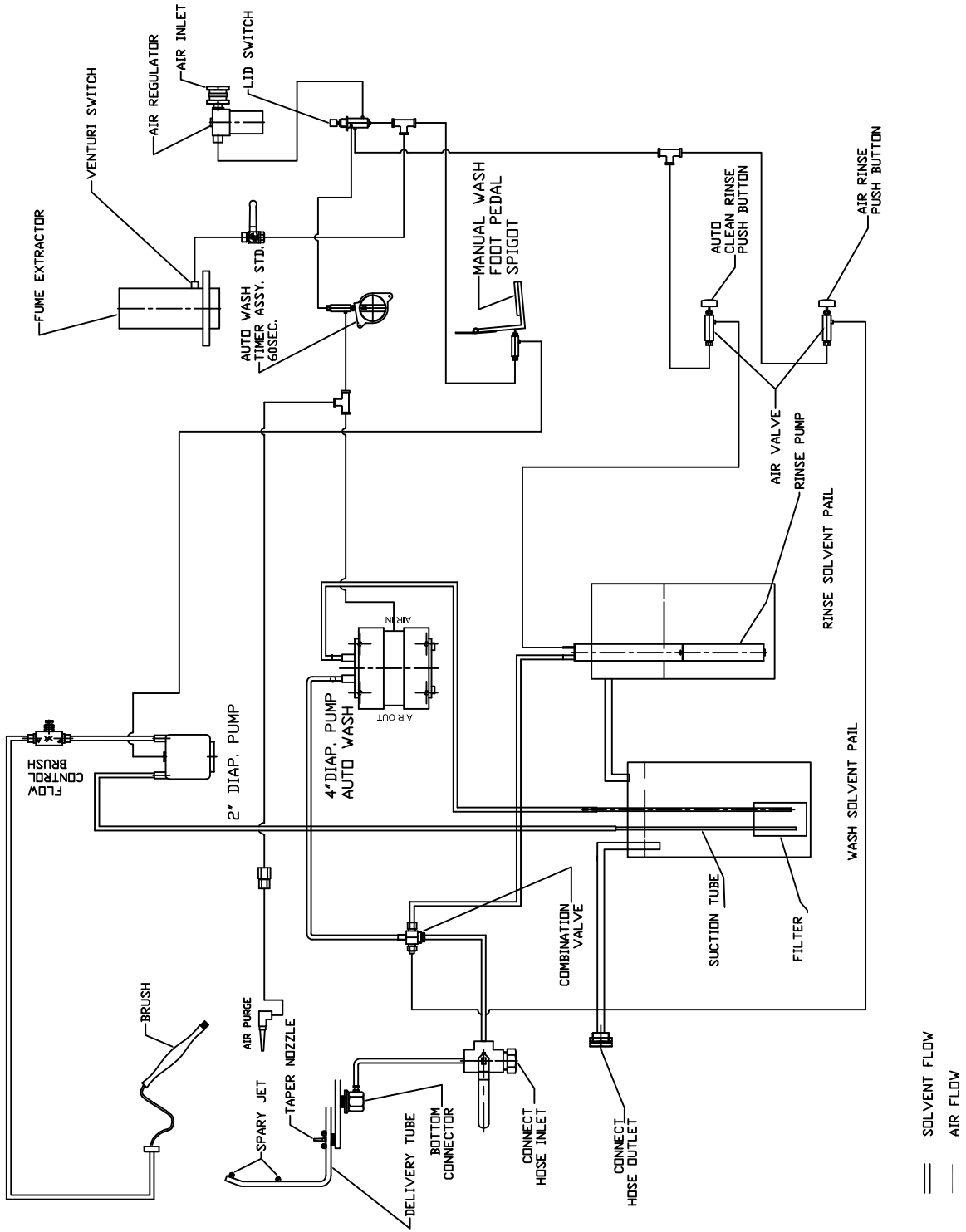


UG4000E: WITH WASH PAIL, RINSE PAIL AND OVERFLOW TUBE (SHOWING AS DRAWING)
 UG4000D: WITH WASH PAIL ONLY
 UG4000DVM: WITHOUT WASH PAIL, RINSE PAIL AND OVERFLOW TUBE

FLOW DIAGRAM
FD-UG4000DVM/D/E-D
 REV. DATE 2019-05-30

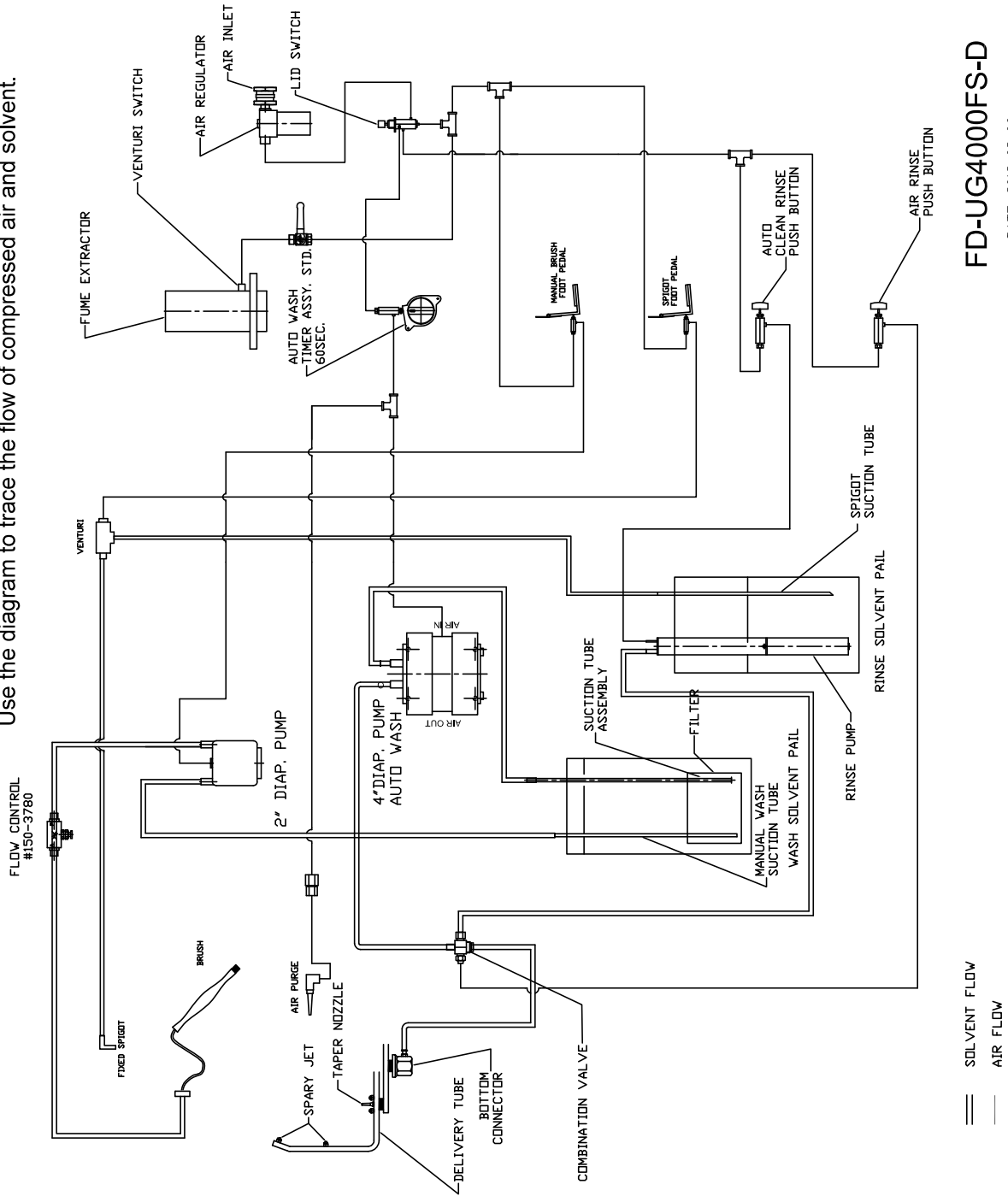
UG4500E FLOW DIAGRAM

Use the diagram to trace the flow of compressed air and solvent.



FDJ164500E-R

UG4000FS FLOW DIAGRAM
Use the diagram to trace the flow of compressed air and solvent.

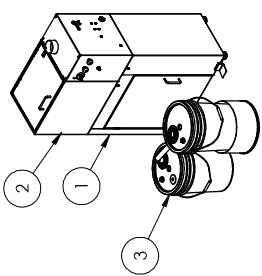
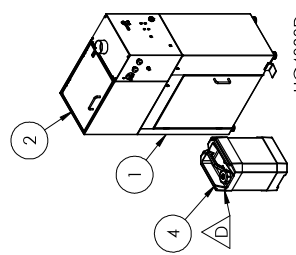
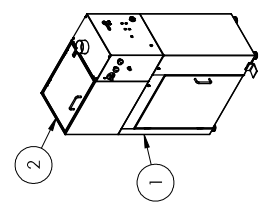
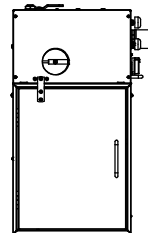
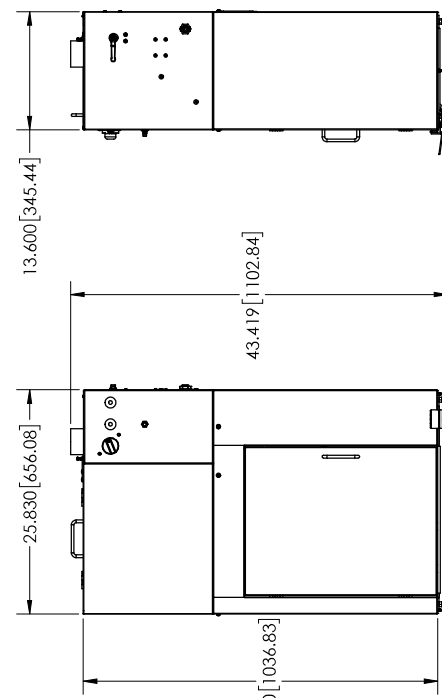
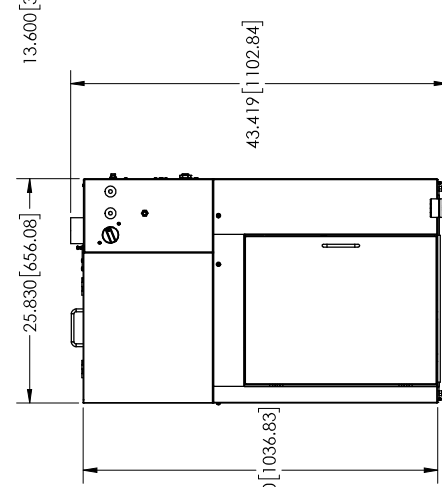
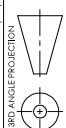


FD-UG4000FS-D

DATE: 2019-03-06

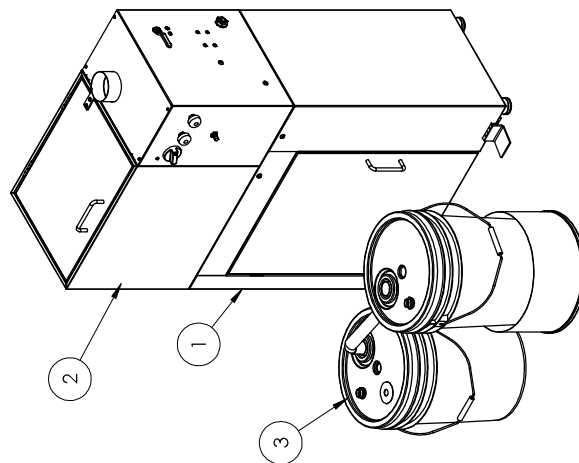
REPLACEMENT PARTS
 For replacement parts contact Uni-ram
 Service Engineer at 1-800-417-9133.

ITEM NO.	Part No	DESCRIPTION	Material	UG-4000DVM/QTY	UG-4000E/QTY	UG-4000D/QTY	Revision
1	140-600T	UG4000 CABINET	Metallic	1	1	1	D
2	140-2000F	UG4000 TANK WITH CONTROL BOX AND HOSE	SEE PARTS	1	1	1	C
3	140-8000	REMOVABLE TYPE, USE TRANSLUCENT RP	See Parts	-	1	-	F
4	150-8115SKS	RECTANGULAR, 20L=5 GALLON, WITH 35 FILTER FOLDS OF CAP AND DRAIN TROCLE	PE High Density	-	-	1	C

 <p>UG4000E</p>		 <p>UG4000D</p>		 <p>UG4000DVM</p>																										
																														
<table border="1"> <tr> <th>D</th> <th>DATE</th> <th>BY</th> <th>APP'D</th> <th>REV</th> </tr> <tr> <td>1</td> <td>2019-06-27</td> <td>REN</td> <td></td> <td></td> </tr> <tr> <td>2</td> <td>2019-06-27</td> <td>REN</td> <td></td> <td></td> </tr> <tr> <td>3</td> <td>2019-06-27</td> <td>REN</td> <td></td> <td></td> </tr> <tr> <td>4</td> <td>2020-09-07</td> <td>REN</td> <td></td> <td></td> </tr> </table>		D	DATE	BY	APP'D	REV	1	2019-06-27	REN			2	2019-06-27	REN			3	2019-06-27	REN			4	2020-09-07	REN			<p>Uni-ram Corporation MARKHAM ONTARIO CANADA TEL: (905) 477-9133 FAX: (905) 477-9232</p>		<p>UNLESS OTHERWISE SPECIFIED DIMENSIONS ARE IN INCHES TOLERANCES: FRACTIONAL: ± 1/32 DECIMAL: ± .015 ANGULAR: ± 1/2°</p>	
D	DATE	BY	APP'D	REV																										
1	2019-06-27	REN																												
2	2019-06-27	REN																												
3	2019-06-27	REN																												
4	2020-09-07	REN																												
<p>THE INFORMATION CONTAINED IN THESE DRAWINGS IS THE SOLE PROPERTY OF UNI-RAM CORP. ANY REPRODUCTION IN PART OR AS A WHOLE WITHOUT THE WRITTEN PERMISSION OF UNI-RAM CORP IS PROHIBITED.</p>		<p>3RD ANGLE PROJECTION</p> 		<p>TITLE: UG4000 SERIES GUN CLEANER</p>																										
<p>REVISIONS</p>		<p>PROJECT: UG-4000</p>		<p>SHEET No 1 OF 4</p>																										
<p>DATE: JUNE-14-2017</p>		<p>BINDER: UG-4000</p>		<p>SCALE: DO NOT SCALE DRAWING</p>																										
<p>NAME: See Parts</p>		<p>WEIGHT: 88.45 LBS</p>		<p>QTY:-</p>																										
<p>FILE NAME: UG-4000</p>		<p>PATH: \\utgserver\utg\caddwg\ug</p>		<p>DWG. NO. UG4000</p>																										
<p>REV: D</p>																														

BOM Table of UG4000-D

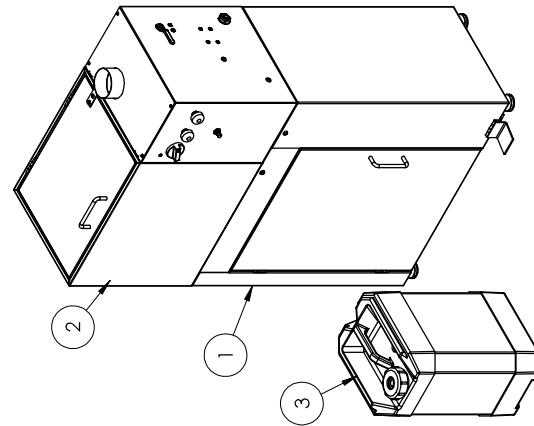
ITEM NO.	PartNo	DESCRIPTION	UG-4000E/QTY.
1	140-600T	UG4000 CABINET ASSY	1
2	140-2000F	UG-4000 TANK WITH CONTROL BOX COMPLETE PAIR SET FOR MODEL JLD	1
3	140-8000	REMOVABLE TYPE USE TRANSLUCENT RP BUCKET	1



UG-4000E

BOM Table of UG-4000-D

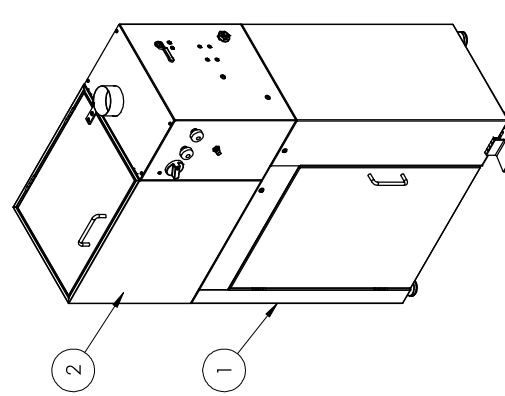
ITEM NO.	PartNo	DESCRIPTION	UG-4000D/QTY.
1	140-400T	UG4000 CABINET	1
2	140-2000F	UG-4000 TANK WITH CONTROL BOX COMPLETE SOLVENT WASH PAIR, HDPE, RECTANGULAR, 20 L=5GALLON, WITH SS FILTER HOLES ON CAP AND DRAIN HOLE	1
3	150-8115SKS		1



UG-4000D

BOM Table of UG-4000-D

ITEM NO.	PartNo	DESCRIPTION	UG-4000DVM/QTY.
1	140-400T	UG4000 CABINET	1
2	140-2000F	UG-4000 TANK WITH CONTROL BOX COMPLETE	1



UG-4000DVM

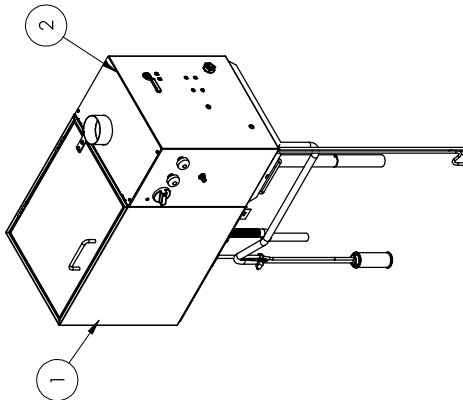
UG4000
UNI-RAM CORPORATION
 REV.C, DATE: 2018-08-22

BOM Table of 140-2000F

ITEM NO.	PartNo	DESCRIPTION	QTY.
1	140-2000F	UG4000 TANK	1
2	40-3908	DELTA W/ WASH ASSY	1
3	40-430	CENTRE CONNECTOR WITH FITTING	1
4	10-465	NYLON WASHER 25.4X13.35	1
5	100-463	BRASS NUT/UNION ADAPTER 1/4" NPT	1
6	140-480	DRAIN VALVE WITH FITTINGS AND HOSE SUB-ASSY	1
7	100-332N	FLAME RETARDING SCREEN	1
8	140-332N	AIR VENTURI AND SUPPORT	1
9	144-390S	MANUAL BRUSH WITH COMPRESS	1
10	140-280	FLAME ARRESTOR FOR SOLVENT	1
11	110-261	HOSE CLAMP #5 S FOR 1/4" OD	1
12	110-430	TAPER NOZZLE ADAPTER ALM. TUBE 6.5"	1
13	110-430PPS	NOZZLE ADAPTER FOR PPS ALM. TUBE	1
14	100-413F	CUP HOLDER	2
15	40-2340	TWO SETS RIE-PLUG, INCL TWO 140-2341	1
16	GCFI1418L	QUICK CONNECTOR 1/4" OD TUBE X 1/8" NPT LONG	1
17	780-4651	WASHER BODY 1/2" NPT	1
18	110-470	FITTING SUB-ASSY TO MANUAL BRUSH	1

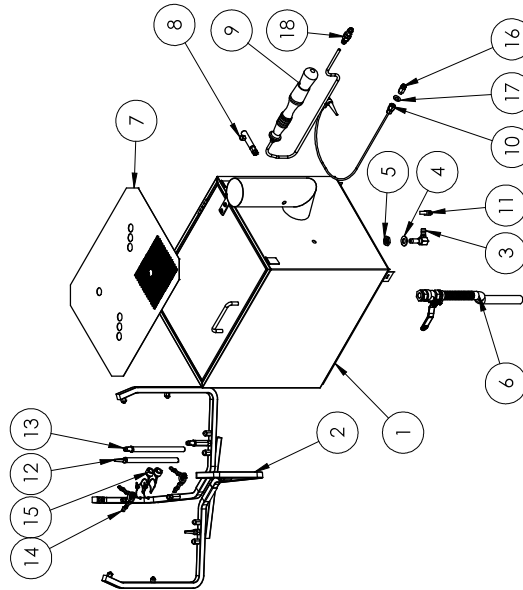
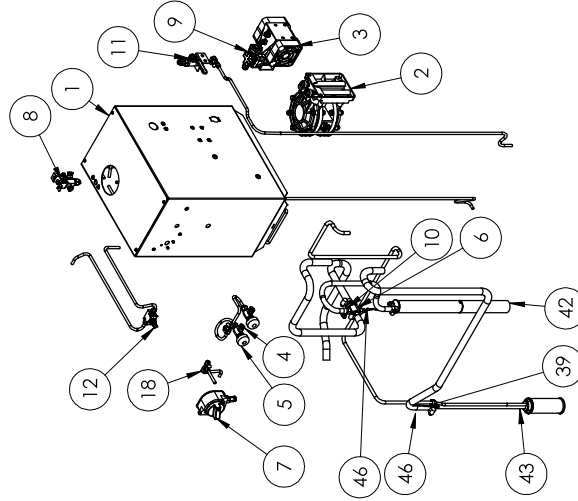
BOM Table of 140-2000F-C

ITEM NO.	PartNo	DESCRIPTION	QTY.
1	140-200F	UG4000 TANK ASSY,	1
2	240-400	CONTROL BOX WITH PUMPS AND FITTINGS	1



BOM Table of 240-400

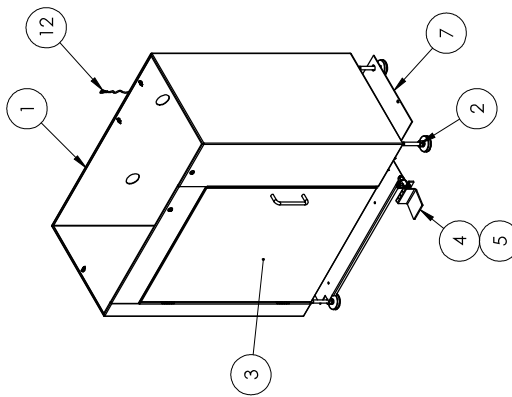
ITEM NO.	PartNo	DESCRIPTION	QTY.
1	240-410	CONTROL BOX WELDMENT ASSY	1
2	UDP4TA	DUAL DIA PHRAGM PUMP, 4" DELRIN BODY, TEFLOM DISC, 8/M INCL	1
3	UDP2TA8	2" DIA PUMP, TEFLOM BALL, WITH 8MM INLET AND 6MM OUTLET FITTINGS	1
4	115-400	RINSE VALVE ASSY, 2-WAY, HEAVY DUTY, N1010 HEAD	2
5	140-731F	PUSH BUTTON, RINSE	2
6	140-400C	COMBINATION TIE-PLUG ASSY	1
7	145-400C	MESH FILTER, 1/2" W/ 2" NPT	1
8	114-500V	LID SWITCH ASSY, 4-WAY, 2-OUT	1
9	120-920PR	AIR PRESSURE REGULATOR, SET TO 85 PSI	1
10	711-140	LOCKOUT 1/2" NPT, BRASS	1
11	780-4610	BALL VALVE ASSEMBLY, 1/4", WITH BRACKET	1
12	150-3780	LIQUID FLOW CONTROL ASSEMBLY, 6MM TUBE	1
18	GCIEEL4	QC FITTING TEE, FOR 6MM OD HOSE	3
42	URPT005	RINSE PUMP, 100CC	1
43	150-4200	INLET TUBE WITH FILTER SUB-ASSY	1
46	100-83335	GROUND WIRE ASSY, 14GA, 36 LG, GREEN	2



UG4000
UNI-RAM CORPORATION
 REV.C, DATE: 2018-08-22

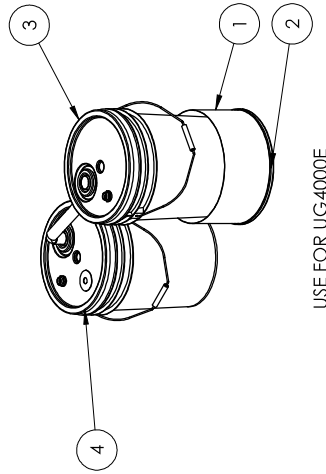
BOM Table of 140-6001-D

ITEM NO.	PartNo	DESCRIPTION	QTY.
1	140-6201	CABINET WEIDMENT ASSY. UG4000	1
2	110-531L	ADJUSTABLE FOOT LONG 3/8" 16x2.5"L STUD*GC*SR	4
3	150-630T	DOOR ASSEMBLY FOR UG4000	1
4	240-7510	FOOT PEDAL HEAVY DUTY WITH VALVE	1
5	240-7513	PIN RUBBER SLEEVE FOR FOOT PEDAL	1
7	140-6235	FLOOR	1
12	100-835-6	GROUND WIRE ASSY. 18GA., 1300MM GREEN, BOTH ENDS WITH 1/4" NONINSULATED TERMINAL	1

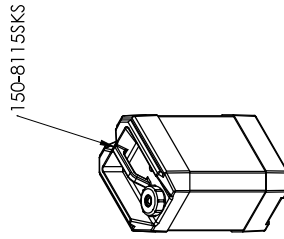


BOM Table of 140-8000

ITEM NO.	PartNo	DESCRIPTION	QTY.
1	780-8116	PARBES FOR INSPECTALIN	1
2	780-8106	PARBES FOR INSPECTALIN	1
3	780-8141	5 US GAL BUCKET WITH LID SET AND OVERFLOW SET	1
4	780-8151	5 US GAL BUCKET WITH LID AND TUBING SET.	1



USE FOR UG-4000E



USE FOR UG-4000D

UG4000
UNI-RAM CORPORATION
 REV.C, DATE: 2018-08-22

REPLACEMENT PARTS

Part No.	Description
110-430PPS	Nozzle Adapter, Push On, Disposable and Conventional Systems
100-413F	Paint Cap Holder
115-200/K	Mechanical Timer Assembly, 5 minutes
140-230	Air Passage Plug
140-2340	Trigger Clamp & Plug Kit
144-399	Flow-Through Brush
144-390	Flow-Through Brush with Hose and Fittings
144-397	Hose for Flow-Through Brush
100-835	Ground Wire for Gun Cleaner, 18G, Green, 4 FT
UDP4TA	4" Dual Diaphragm Pump (Main Pump)
UDP2TAB	2" Dual Diaphragm Pump (for Flow-through Brush)
150-8115RT	Solvent Wash Pail
150-8114RT	Clean Rinse Pail

Part No.	Description
110-430	Nozzle Adapter, Push On, Conventional Systems Only
110-430PPS	Nozzle Adapter, Push On, Disposable and Conventional Systems
780-3530	Nozzle Adapter, Disposable Cup Systems Only
100-413F	Paint Cap Holder
115-200/K	Mechanical Timer Assembly, 5 minutes
140-230	Air Passage Plug
140-2340	Trigger Clamp & Plug Kit
144-399	Flow-Through Brush
144-390	Flow-Through Brush with Hose and Fittings
144-397	Hose for Flow-Through Brush
100-835	Ground Wire for Gun Cleaner, 18G, Green, 4 FT
780-8000	2-Pail Set with overflow tube etc (does not include Hoses & Fittings for connecting to Solvent Recyclers)
UDP4TA	4" Dual Diaphragm Pump (Main Pump)
UDP2TAB	2" Dual Diaphragm Pump (for Flow-through Brush)
780-8120P	Clean Rinse Pail
750-815P	Overflow Tube
780-8110P	Wash Pail
780-8116F	Riser



Full Product Warranty

These Uni-ram products have been engineered and manufactured to high performance standards. Each unit has been subjected to detailed factory testing before shipment.

This product comes with a one-year full warranty from the date of purchase. Uni-ram Corporation reserves the right to repair or replace the unit, free of charge, to the original purchaser if a part is found to be defective in material or workmanship as determined by factory service personnel. The items listed below under "Conditions of Warranty" as consumables are not covered.

Uni-ram reserves the right to direct the customer to ship the unit collect to the Uni-ram factory or to an approved Service Center for repair using the Uni-ram Return Goods Procedure or to repair the unit on-site. To prevent damage in transport, the purchaser must ship the unit in the original packaging or use alternate adequate packaging. All units must be **shipped clean and free of liquid**.

Diaphragm Pump:

We are pleased to advise that the warranty on the diaphragm pump, the heart of the spray gun cleaner, comes with a 2 year replacement warranty. If, in the unlikely event your diaphragm pump fails during the first two years of service, call Uni-ram Service at 1-800-417-9133. We will send you a new pump free of charge and arrange for the return of your original pump.

Conditions of Warranty:

As Uni-ram Corporation has no control over the working conditions or circumstances under which the purchaser stores, handles or uses the product, Uni-ram makes no warranty or claim, either expressed or implied with respect to this product's fitness for any purpose or the result to be obtained from its use. This condition applies to the sale of all products and no representative or distributor of Uni-ram Corporation has the authority to waive or change these conditions.

This warranty applies only to the original purchaser and does not apply if the unit has been misused, overloaded, neglected, altered or used for any purpose other than those specified in the operating and installation instructions. Deterioration due to normal wear is not covered by this warranty. Damage due to accident, transportation, fire, floods or acts of God is also not covered. Units whose serial numbers have been altered or removed are not covered. The warranty is invalid if unauthorized chemicals as noted in the manual or liquids with acid content are used in this unit. Unauthorized attempts at self-repair or alterations by the owner also invalidate this warranty. Interior or exterior finishes are not covered by this warranty.

Consumable Items are not covered by this warranty (eg: gaskets, screens, bags, filters, nozzles and air jets).

This warranty replaces all other warranties expressed or implied by statute or otherwise.

To make a claim, call Uni-ram Service at 1-800-417-9133 and quote the serial number of the unit.