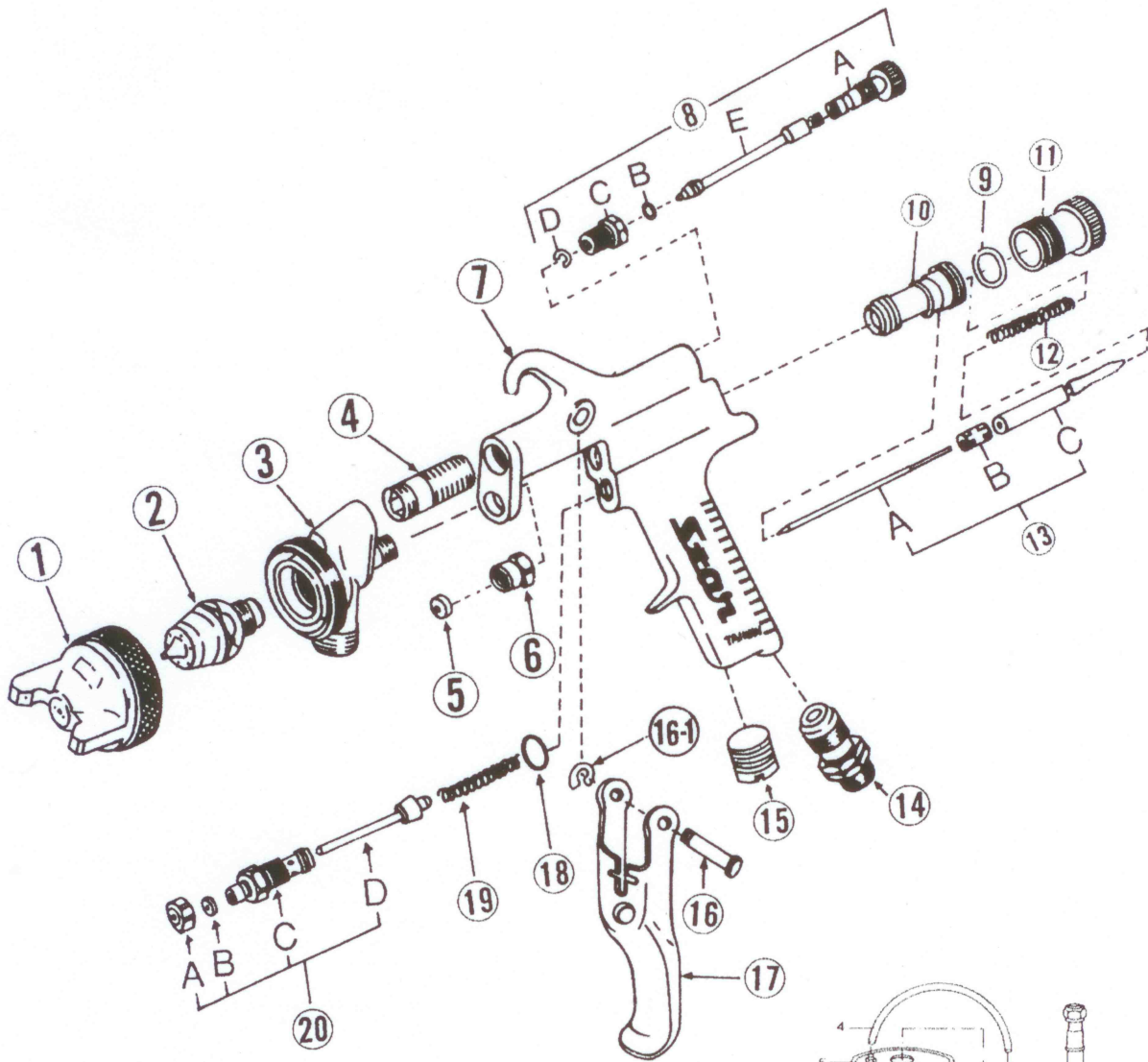
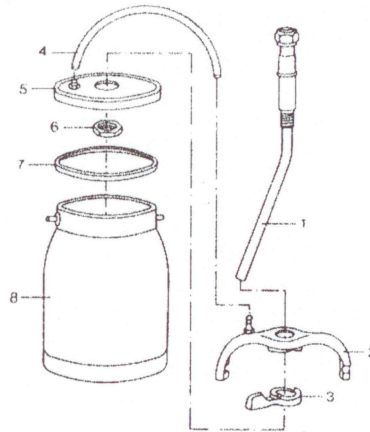


2PG7S



- 1 Material Tube Assembly
- 2 Yoke Assembly
- 3 Lever
- 4 Drip Tube
- 5 Cup Top Assembly
- 6 Nut
- 7 Cup Gasket
- 8 Cup



P/N.	Description	Q'ty	P/N.	Description	Q'ty	P/N.	Description	Q'ty
1	Air Cap Set	1	8C	Housing	1	16	Strud Trigger	1
2	Fluid Nozzle	1	8D	E- Ring	1	16-1	Stopper Trigger	1
3	Head	1	8E	Stem	1	17	Trigger	1
4	Screw	1	9	O- Ring	1	18	Gasket(Air Valve)	1
5	Packing(Needle)	1	10	Housing	1	19	Air Valve Spring	1
6	Needle Valve Packing Seat	1	11	Sleeve	1	20	Air Valve Assembly	1
7	Gun Body	1	12	Spring(Needle)	1		20A Nut	1
8	Spreaader Adjusting Valve Set	1	13	Fluid Needle Assembly	1		20B Packing	1
	8A Knob	1	14	Connectiuon	1		20C Valve Body	1
	8B O- Ring	1	15	Nut	1		20D Valve	1