



Model: **1828**

Product Type:  
**3/8" NANO IMPACT WRENCH  
- 450FT/LB**



## WARNING



Study, understand and follow all instructions provided with this product. Read these instructions carefully before installing, operating, servicing or repairing this tool. Keep these instructions in a safe accessible place.

### INTENDED USE OF THE TOOL

The 1828 is intended to be used for removing and fastening bolts and nuts with 3/8" drive impact sockets only. Do not use this tool outside of the designed intent. Never modify this tool for any other purpose or use.



## WARNING



### Caution: To help prevent personal injury

- Use of this product can expose you to chemicals including ethylene glycol, gasoline vapors and engine exhaust, which are known to the State of California to cause cancer, birth defects, or reproductive harm. For more information, visit [www.P65Warnings.ca.gov](http://www.P65Warnings.ca.gov). Always wear ANSI approved safety equipment, safety glasses and clothing when using this product. Study, understand, and follow all instructions provided with this product. Failure to read and follow all warnings and operating instructions may result in damages and serious injury or death.
- Always wear ANSI approved goggles when using this product. (Users and Bystanders).
- Never use this tool for any application other than for which it was designed.
- Only use accessories designed for this tool.
- Never alter or modify this tool in any way.
- Improper operation and/or maintenance of the tool, modification of the tool, or use of the tool with accessories not designed for it could result in serious injury or death.
- Always select the correct accessories of the correct size and design for the job that you are attempting to perform.
- Always work in a clean, safe, well-lit, organized and adequately equipped area.
- Do not begin repairs without assurance that vehicle is in secure position, and will not move during repair.

### 3/8" NANO IMPACT WRENCH - 450FT/LB



MADE IN TAIWAN



**Astro Pneumatic  
Tool Company**

[www.astrotools.com](http://www.astrotools.com)

### 1 YEAR LIMITED WARRANTY

- Astro Pneumatic Tool Co. warrants our products to the original user against defective material or workmanship for a period of 1 year (except where noted on our price schedule) from the date of 1st use. Astro reserves the right to determine whether the product failed because of defective material, workmanship or other causes and to charge back for missing parts. Astro Pneumatic Tool Co., at its discretion, will repair products covered under this warranty free of charge. The distributor should direct the original user to return the product (with the exceptions listed below) with the distributor's name, address, adequate proof of date of purchase or a copy of warranty card, and a short note explaining the problem. **Failures caused by accident, alteration, or misuse are not covered by this warranty.**
- Astro Pneumatic Tool Co. or its authorized service representatives must perform all warranty repairs. Any repair to the product by unauthorized service representatives voids this warranty. The rights under this warranty are limited to the original user and may not be transferred to subsequent owners.
- This warranty is in lieu of all other warranties, expressed or implied, including warranties of merchantability and fitness for a particular purpose. Some states do not allow the exclusion of limitations of incidental or consequential damages so the above limitations may not apply to you.



**PLEASE DO NOT RETURN ANY PRODUCT WITHOUT CALLING  
1-800-221-9705 FOR INSTRUCTIONS**



### Before Use

Before use, check the parts diagram and part number listing on page 4 to make sure all parts are included. If any parts are missing or damaged, please call your distributor.

### PRODUCT INFORMATION:

- 3/8" model allows for the shortest profile possible when paired with 3/8" impact sockets
- Compact yet powerful design at 450ft/lbs

### SPECIFICATIONS:

Free Speed: 10,500 R.P.M  
Hammer Design: Twin Hammer  
Max torque: 450 ft-lb  
Working torque: 400 ft-lb  
Drive Size: 3/8"  
Avg. Air Consumption: 5.6 CFM  
Noise Level: 85 dB  
Overall Length: 3.85"  
Net Weight: 2.98 lbs  
Air Inlet: 1/4"  
Sug. Air Pressure: 90 Psi  
Exhaust System: Handle Exhaust

**DO NOT DISCARD – GIVE TO USER**



Model: **1828**

Product Type:  
**3/8" NANO IMPACT WRENCH**  
**- 450FT/LB**

## MAINTENANCE INSTRUCTION:

### 1.) LUBRICATION:

Before connection of the hose, apply 4 to 5 drops of a good quality air tool oil at the air inlet. After 3 to 4 hours of operation, oiling may be necessary again.

### 2.) TIGHTNESS OF PARTS:

Regularly check whether all connection parts are **fastened securely. Follow this procedure daily before beginning work.**

### 3.) STORAGE:

Avoid storing the tool in a location subject to high humidity. If the tool is left unused, the residual moisture inside the tool can cause rust. Before storing and after operation, oil the tool at the air inlet with a good quality air tool oil and run it for a short period.

### 4.) DISPOSAL:

Follow national legislation of waste disposal.

### 5.) ORDERING SERVICE PART

For further operational and handling information or for replacement of parts and components, contact the sales agent from where you purchased the tool, or the service division of our company, phone number 800-221-9705.

\*When ordering parts and components, give each part number, name, and quantities.



- 1) The tool shall not be used in potentially explosive atmospheres.
- 2) Disconnect the air hose before changing or adjusting any inserted tools.
- 3) Before using tool, please confirm all couplings and plugs are fixed securely. An air hose that is under pressure may lash out when disconnected and could lead to serious injuries.
- 4) Prevent loose clothes, long hair or any other personal accessories from coming close to moving parts to reduce the risk of being caught, trapped or drawn into the operation.
- 5) Excessive high air pressure that exceeds the maximum pressure may cause injuries to user.
- 6) Exposure to strong vibration for extended time may cause harm to operator.
- 7) **WATCH YOUR STEP!** Leaving excess hose unattended near working area or walk path could result in injury or death.
- 8) Wearing eye/face protection could reduce the danger to person from high speed splinters being emitted from the tool or work surface.
- 9) Wearing correct breathing protection will help avoid inhaling dust or debris from work process that can be harmful to your health.
- 10) High sound levels can cause permanent hearing loss. Use hearing protection while operating tool.



Users of this tool should review the chemical composition of the work surface and any products used in conjunction with this tool for any such chemicals prior to engaging in any activity that creates dust and/or microscopic particles.

Users should obtain the Material Safety Data Sheets for all identified chemicals, either from the manufacturer or their employer, and proceed to study, understand, and follow all instructions and warnings for exposure to such chemicals.

Some examples of these chemicals are: lead from lead based paints; crystalline silica from bricks, cement and other masonry products; and arsenic and chromium from chemically treated lumber. A listing of the chemicals can be obtained at [www.oehha.ca.gov](http://www.oehha.ca.gov) under Proposition 65.

In order to reduce their exposure to such chemicals users should always:

- work in well-ventilated areas.
- wear appropriate safety equipment and clothes that are specifically designed to filter out microscopic particles

Users of this tool should review the chemical composition of the work surface and any products used in conjunction with this tool for any such chemicals prior to engaging in any activity that creates dust and/or microscopic particles.

Users should obtain the Material Safety Data Sheets for all identified chemicals, either from the manufacturer or their employer, and proceed to study, understand, and follow all instructions and warnings for exposure to such chemicals.

Some examples of these chemicals are: lead from lead based paints; crystalline silica from bricks, cement and other masonry products; and arsenic and chromium from chemically treated lumber. A listing of the chemicals can be obtained at [www.oehha.ca.gov](http://www.oehha.ca.gov) under Proposition 65.

In order to reduce their exposure to such chemicals users should always:

- work in well-ventilated areas.
- wear appropriate safety equipment and clothes that are specifically designed to filter out microscopic particles.

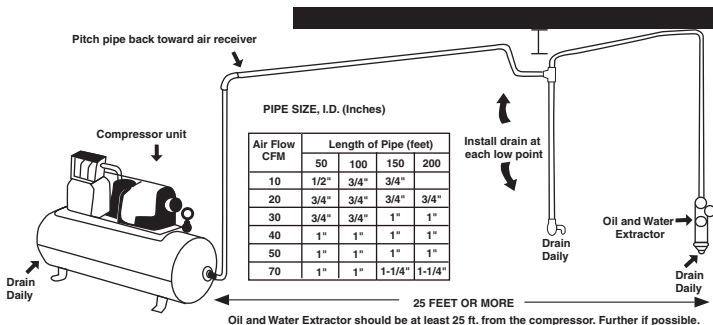


Model: **1828**

Product Type:  
**3/8" NANO IMPACT WRENCH  
- 450FT/LB**

The oil and water extractor should not be mounted on or near the air compressor. The temperature of air is greatly increased during compression. As the air cools down to room temperature, in the air line, on its way to the Air Power Tool, the moisture contained in it condenses. Thus, for maximum effectiveness, the oil and water extractor should be mounted at some point in the air supply system where the temperature of the compressed air in the line is likely to be lowest. Air lines must be properly drained daily. Each low point in an air line acts as a water trap. Such points should be fitted with an easily accessible drain. See diagram below. Pitch all air lines back towards the compressor so that condensed moisture will flow back into the air receiver where it can be drained off. Drain daily.

### SUGGESTED AIR LINE CONNECTION





**Astro Pneumatic  
Tool Company**

372 Old US Highway 52 South  
Mount Airy, NC 27030

Model:

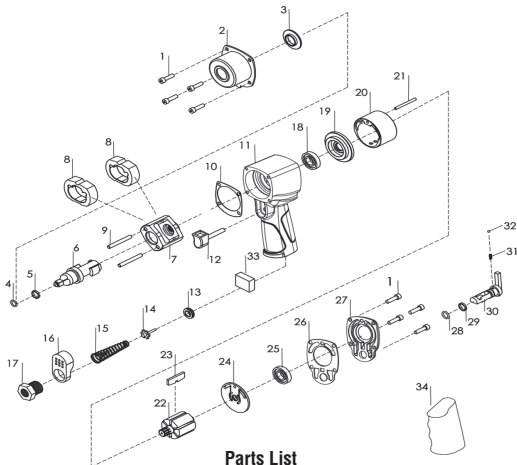
**1828**

Product Type:

**3/8" NANO IMPACT WRENCH  
- 450FT/LB**

## PARTS BREAKDOWN

Call 1.800.221.9705 for questions concerning performance of the product or other inquiries.



### Parts List

Index	Part No.	Description	Qty	Index	Part No.	Description	Qty
1	1822-01	Cap Screw	8	18	1822-18	Ball Bearing R8	1
2	1822-02	Hammer Housing	1	19	1822-19	Front End Plate	1
3	1822-03	Hammer Case Bushing	1	20	1822-20	Cylinder	1
4	1828-04	Retainer Ring	1	21	1822-21	Dowel liner	1
5	1828-05	O-Ring	1	22	1822-22	Rotor	1
6	1828-06	Drive Anvil	1	23	1822-23	Rotor Blade	6
7	1822-07	Hammer Cage	1	24	1822-24	Rear End Plate	1
8	1822-08	Hammer Cam	2	25	1822-25	Ball Bearing R8	1
9	1822-09	Hammer Pin	2	26	1822-26	Motor Housing Gasket	1
10	1822-10	Motor Housing Gasket	1	27	1822-27	Housing Cap	1
11	1822-11	Housing	1	28	1822-28	O-Ring	1
12	1822-12	Trigger	1	29	1822-29	E-Ring	1
13	1822-13	Throttle Bushing	1	30	1822-30	Regulator Knob	1
14	1822-14	Throttle Valve	1	31	1822-31	Regulator Valve Detent Spring	1
15	1822-15	Throttle Spring	1	32	1822-32	Regulator Valve Detent Ball	1
16	1822-16	Air Exhaust Deflector	1	33	1822-33	Muffler	2
17	1822-17	Air Inlet Bushing	1	34	1822-34	Rubber Grip	1