



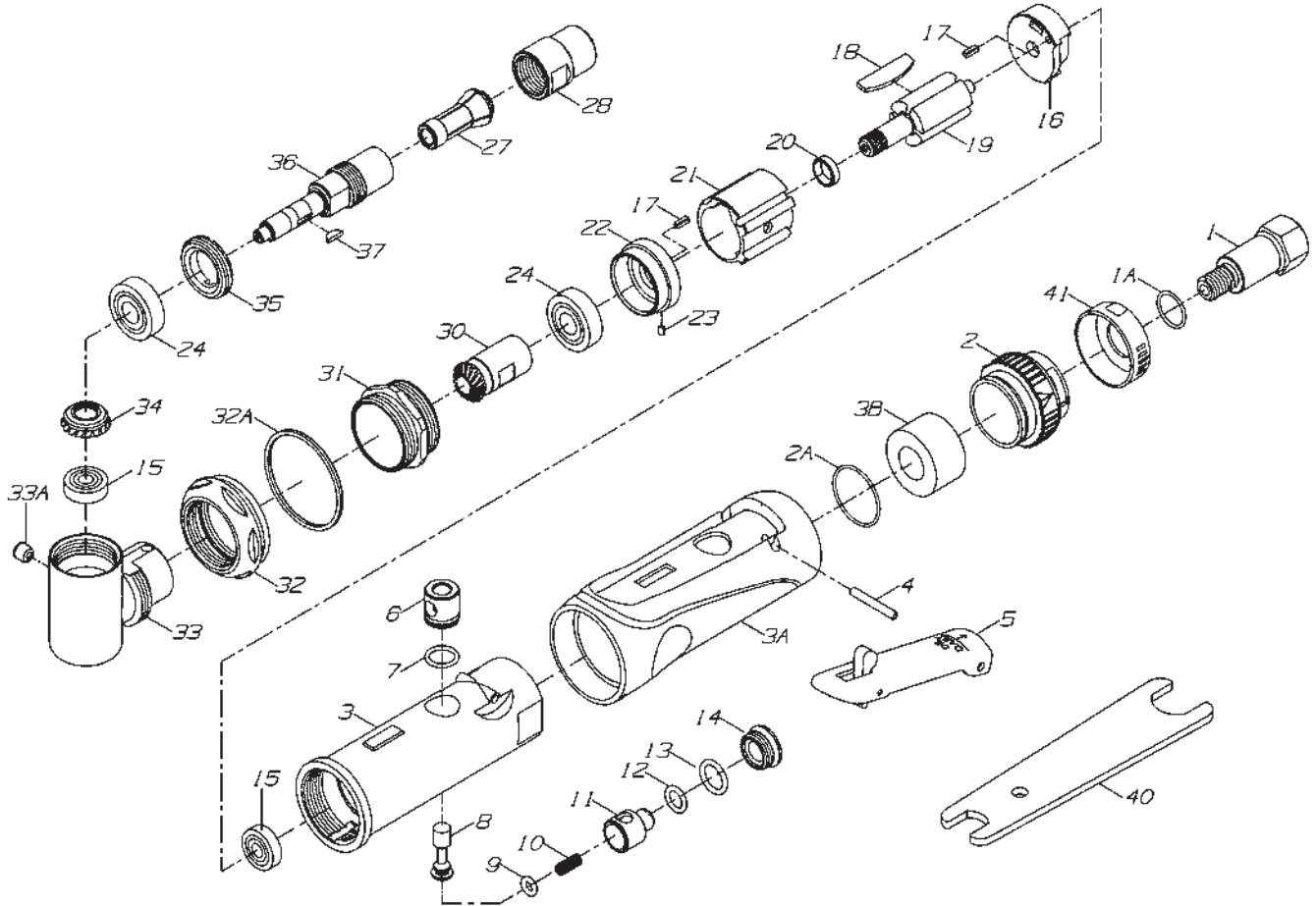
**Astro Pneumatic
Tool Company**
372 Old US Highway 52 South
Mount Airy, NC 27030

Model:
204

Product Type:
**COMPOSITE BODY 1/4" 90° ANGLE
DIE GRINDER - 20,000RPM -
REAR EXHAUST**

PARTS BREAKDOWN

Call 1.800.221.9705 for questions concerning performance of the product or other inquiries.



Parts List

Index	Part No.	Description	Qty	Index	Part No.	Description	Qty	Index	Part No.	Description	Qty
1	204-01	Inlet Bushing	1	11	T20AH-A04	Air Regulator	1	27	T210-A04	1/4" Collet	1
1A	T210-A26P	O-Ring	1	12	T20AH-A05	O-Ring	1	28	T20AH-A30	Collet Nut	1
2	204-02	Exhaust Deflector	1	13	T20AH-A06	O-Ring	1	30	T20AH-A19	Bevel Gear	1
2A	204-02A	O-Ring	1	14	T20AH-A07	Valve Screw	1	31	T20AH-A20	Cap Lock	1
3	204-03	Motor Housing	1	15	204-15	Ball Bearing	1	32	204-32	Threaded Cap	1
3A	204-03A	Housing Sleeve	1	16	204-16	Rear End Plate	1	32A	204-32A	Ring	1
3B	204-03B	Muffler	1	17	T210-A11	Pin	2	33	204-33	Angle Housing	1
4	T210-A28	Pin	1	18	T20AH-A16	Rotor Blade	4	33A	204-33A	Ball Cap	1
5	204-05	Safety Lever	1	19	204-19	Rotor	1	34	T20AH-A24	Bevel Gear	1
6	T20AH-A31	Valve Bushing	1	20	T20AH-A13	Bearing Spacer	1	35	T20AH-A28	Clamp Nut	1
7	T20AH-A31P	O-Ring	1	21	T20AH-A14	Cylinder	1	36	T20AH-A27	Spindle	1
8	204-08	Throttle Valve	1	22	204-22	Front End Plate	1	37	T20AH-A26	Key	1
9	T20AH-A32	O-Ring	1	23	T210-A11P	Pin	1	40	204-40	Double Ended Spanner	2
10	T20AH-A03	Spring	1	24	T20AH-A18	Ball Bearing	2				