



Model:

# 78585

Product Type:

## MASTER UNIVERSAL RADIATOR PRESSURE TESTER & VACUUM SYSTEM KIT



### WARNING



Study, understand and follow all instructions provided with this product. Read these instructions carefully before installing, operating, servicing or repairing this tool. Keep these instructions in a safe accessible place.

### INTENDED USE OF THE TOOL

This kit is designed to test for leakage in vehicle cooling systems, including radiator caps, and for quick change of coolant only. Use as intended only.



### WARNING



#### Caution: To help prevent personal injury

- Use of this product can expose you to chemicals including ethylene glycol, gasoline vapors and engine exhaust, which are known to the State of California to cause cancer, birth defects, or reproductive harm. For more information, visit [www.P65Warnings.ca.gov](http://www.P65Warnings.ca.gov). Always wear ANSI approved safety equipment, safety glasses and clothing when using this product. Study, understand, and follow all instructions provided with this product. Failure to read and follow all warnings and operating instructions may result in damages and serious injury or death.
- Always wear ANSI approved goggles when using this product. (Users and By standers).
- Never use this tool for any application other than for which it was designed.
- Only use accessories designed for this tool.
- Never alter or modify this tool in any way.
- Improper operation and/or maintenance of the tool, modification of the tool, or use of the tool with accessories not designed for it could result in serious injury or death.
- Always select the correct accessories of the correct size and design for the job that you are attempting to perform.
- Always work in a clean, safe, well-lit, organized and adequately equipped area.
- Do not begin repairs without assurance that vehicle is in secure position, and will not move during repair.

### BEFORE USE

When unpacking, check the parts diagram and part number listing on page 6 to make sure all parts are included. If any parts are missing or damaged, please call your distributor.

Made in Taiwan

### DO NOT DISCARD – GIVE TO USER



## Astro Pneumatic Tool Company

[www.astrotools.com](http://www.astrotools.com)

### 1 YEAR LIMITED WARRANTY

- Astro Pneumatic Tool Co. warrants our products to the original user against defective material or workmanship for a period of 1 year (except where noted on our price schedule) from the date of 1st use. Astro reserves the right to determine whether the product failed because of defective material, workmanship or other causes and to charge back for missing parts. Astro Pneumatic Tool Co., at its discretion, will repair products covered under this warranty free of charge. The distributor should direct the original user to return the product (with the exceptions listed below) with the distributor's name, address, adequate proof of date of purchase or a copy of warranty card, and a short note explaining the problem. **Failures caused by accident, alteration, or misuse are not covered by this warranty.**
- If one part of this product fails, please do not return the entire product. Astro will replace free of charge component parts of this product that fail within 1 year of first use by the original user. Items included in this category include but are not limited to kits, hand tool kits and any other product where there are multiple items or components that make up the unit. Please contact the phone number below in order to obtain the replacement components covered under warranty.
- Astro Pneumatic Tool Co. or its authorized service representatives must perform all warranty repairs. Any repair to the product by unauthorized service representatives voids this warranty. The rights under this warranty are limited to the original user and may not be transferred to subsequent owners.
- This warranty is in lieu of all other warranties, expressed or implied, including warranties of merchantability and fitness for a particular purpose. Some states do not allow the exclusion of limitations of incidental or consequential damages so the above limitations may not apply to you.



PLEASE DO NOT RETURN ANY PRODUCT WITHOUT CALLING  
1-800-221-9705 FOR INSTRUCTIONS



### PRODUCT INFORMATION

- Allows for easy leakage testing of cooling systems and quick changing of coolant
- Suitable for a wide range of Import and Domestic vehicles
- Color coded radiator test caps make it easy to choose the suitable test cap for the job
- Special design of vacuum purge & refill tool connection fits nearly all types of radiators
- Set includes:
  - Pressure Testing Pump with Hose, Quick Coupler with Pressure Release, and Gauge: Test Range 0 - 35 psi (0 - 2.5 bar)
  - 1pc. Blue and 1pc. Black Radiator Cap Test Adapters to test for original radiator cap leakage
  - 17pcs. Test Caps for testing cooling systems on most domestic and import vehicles
  - Vacuum Type Cooling System Purge and Refill Tool Kit for quick change of coolant
  - Universal Adapter
  - Temperature Gauge
  - Blow Molded Case
- Visit the parts breakdown page for 78585 on our website for complete list of applications



Model:

# 78585

Product Type:

## MASTER UNIVERSAL RADIATOR PRESSURE TESTER & VACUUM SYSTEM KIT

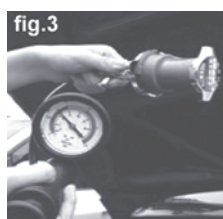
### INSTRUCTIONS FOR PRESSURE TESTING COOLING SYSTEM

#### Test For Leaks In Cooling System

- Step 1: Remove the original radiator cap after assuring that the cooling system is depressurized and cool.
- Step 2: Choose the correct radiator cap for the vehicle being tested from the test kit and install on cooling system opening.
- Step 3: Remove the hand pump assembly from the test kit and fasten the quick coupler at the end of the hose to the radiator cap securely. Operate the hand pump until reaching the pressure recommended by the vehicle manufacturer. (See fig. 1 & 2) DO NOT exceed vehicle manufacturer's recommended pressure or maximum gauge range pressure of 35psi (2.5bar).
- Step 4: Check the pressure reading on the gauge immediately after reaching the vehicle manufacturer's recommended pressure. If the pressure reading drops, there is a leak in the cooling system. After pressure testing is completed, press the release button on the quick coupler until the reading on the gauge reads 0. Remove quick coupler from radiator cap and then remove radiator cap from the cooling system opening. Locate the leak and repair as necessary.

#### Test For Leaks In Original Radiator Cap

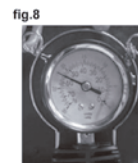
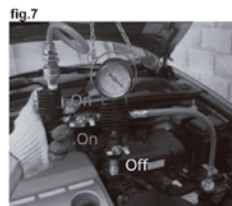
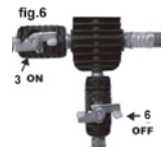
- Step 1: Choose the correct radiator cap connector (02A or 02B) and correct steel radiator cap (03, 04, or 05) for the correct vehicle being tested from the test kit. Fasten the original radiator cap to the radiator cap connector and then fasten the steel radiator cap from the test kit to the other end of the radiator cap connector.
- Step 2: Remove the hand pump assembly from the test kit and fasten the quick coupler at the end of the hose to the radiator cap securely. Operate the hand pump until reaching the pressure recommended by the vehicle manufacturer. (See fig. 3) Do not exceed vehicle manufacturer's recommended pressure or maximum gauge range pressure of 35psi (2.5bar).
- Step 3: Check the pressure reading on the gauge immediately after reaching the vehicle manufacturer's recommended pressure. If the pressure drops, there is a leak in the radiator cap. After pressure testing is completed, press the release button on the quick coupler until the reading on the gauge reads 0. Remove quick coupler from radiator cap and then remove the original radiator cap from the radiator cap connector. Discard original radiator cap and replace with new cap if leaking or if it does not meet vehicle manufacturer's recommendations.



### INSTRUCTIONS FOR PURGING AND REFILLING COOLING SYSTEM

#### Purge Cooling System

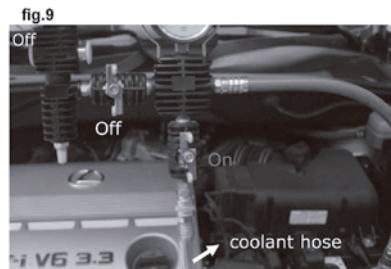
- Step 1: Drain coolant from radiator as well as possible.
- Step 2: Remove the purge and refill tool from the test kit and hang the tool in a convenient location under the hood with the hook provided.
- Step 3: Choose the correct radiator cap for the vehicle being tested, or the universal rubber radiator adapter from the test kit and install the one of your choice on the cooling system opening. Fasten the quick coupler at the end of the hose on the purge and refill tool to the radiator cap securely. (See fig. 4 & 5)
- Step 4: Turn valve No. 3 to the open position and valve No. 6 to the closed position. (See fig. 6)
- Step 5: Connect air supply to the purge and refill tool and press operating button until the pressure reaches 20-25 Hg (50-60cmHg). Turn valve No. 3 to the closed position and release the operating button. (See fig. 7 & 8)



#### Refill Cooling System

- Step 1: Connect the coolant hose to the purge and refill tool and submerge in coolant.
- Step 2: Assure that valve No. 3 is in the closed position and that there is coolant in the coolant hose.
- Step 3: Turn valve No. 6 to the open position to allow the coolant to refill the cooling system.
- Step 4: The refill is complete when the gauge reads 0.

**Note:** Please check the coolant level and add coolant as necessary to the proper level.



#### WARNING

**ALWAYS** assure that the cooling system is depressurized and cool prior to removing the cooling system cap and operating this cooling system pressure test kit. **DO NOT** operate this cooling system pressure test kit when cooling system is hot or may result in serious burns. **DO NOT** pressurize the cooling system exceeding the pressure recommended by the vehicle manufacturer.



Model:

**78585**

Product Type:

**MASTER UNIVERSAL RADIATOR  
PRESSURE TESTER & VACUUM SYSTEM KIT****SPECIFICATION- RADIATOR PRESSURE TESTER**

<b>Parts No.</b>	<b>Description</b>
<b>7858-03</b> 2"	<b>Buick</b> (Lesabre: 1990-, Park Avenue: 1991-), <b>Chrysler</b> (Sebring: 1995-), <b>Chevrolet</b> (Venture: 1997-), <b>Dodge</b> (Caravan: 1989-, Dakota: 1989-, Stratus: 1995-), <b>Jeep</b> , <b>Mercedes</b> (W123, W124, W126, W201), <b>Oldsmobile</b> (Silhouette: 1990-), <b>Pontiac</b> (Bonneville: 1990-, Grand Prix: -2003)
<b>7858-04</b> 1.5" Deep	<b>Peugeot</b> , <b>Subaru</b> , <b>Chrysler</b> , <b>Acura</b> , <b>GM</b> (Nova, Spectrum, Sprint), <b>Mitsubishi</b> , <b>Nissan</b> , <b>Mazda</b> , <b>Toyota</b> , <b>Infiniti</b> , <b>GEO</b> , <b>Suzuki</b> , <b>Isuzu</b> , <b>Mercedes Benz</b> , <b>Lexus</b> (LS 400: 1990-1999) (LX 450 : 1996-1999) (LX 470: 1996-1999) (RX 330: 2004-) (ES:1994-1999), <b>Mazda</b> (All: 1985-1999, not 1995 Protege w/1.5L) (MPV:1990-), <b>Mercury</b> (Cougar: 1989-1992) (Cougar: 1993-1997 w/V6) (Topaz:1992-1994) (Tracer :1991-1999) (Villager: 1993-) (Villager: 1995-1999), <b>Mitsubishi</b> (3000GT:1991-1998) (Diamante:1992-1995)(Galant:1985-1993) (Mirage: 1985-1992) (Montero:1989-1998) (Starion : 1989-1993), <b>Nissan</b> (All: 1987-) <b>Subaru</b> (All:1984-), <b>Suzuki</b> (1983-1995 w/16 mm deep neck), <b>Toyota</b> (4Runner:1986-1995) (Avalon 1995-) (Camry:1983-1989) (Camry:1990-1991) (Camry:1994-1999:4cylinder) (Celica:1982-1989) (Corolla: 1983-1992) (Cressida:1985-1992) (Land Cruiser:1987-) (Pickup:1983-1992) (Previa:1989-1997) (Sienna:1998-1999) (Solara:1998-) (Starlet:1983-1984) (SupraL1986-1992: Not turbo) (T100:1995-1998) (Tacoma:1995-) (Tercel:1983-1990), <b>Acura</b> (Integra: 1990-1993), <b>Chevrolet</b> (Nova:1985-1998) (Spectrum:1985-1988) (Sprint:1985-1988), <b>Chrysler</b> (Laser:1991-1998), <b>Dodge</b> (Colt: 1984-1992) (Stealth: 1991-1996) <b>Eagle</b> (Talon:1991-1998), <b>Ford</b> (Escort:1991-) (Explorer:1995-2001) (Festiva:1988-1993) (Probe:1989-1997) (Ranger:1987-) (Tempo:1992-1994) (Thunderbird:1989-1992; 1993-1997:w/VA) (Windstar: 1995-) <b>Geo</b> (Metro: 1989-1994) (Prizm:1998-1998) (Tracker:1989-1993), <b>Honda</b> (Accord:1990-1993) (Civic:1988-1991) (Motorcycles:1991-2004) (Passport:1994-) (Prelude:1990-1998), <b>Hyundai</b> (All:1987-), <b>Infiniti</b> (All:1992-) <b>Isuzu</b> (All: 1992-1997), <b>Kia</b> (Sedona:2003-)
<b>78210-05</b> 1.5" Shallow	<b>Acura</b> (CL:1997-) (Integra:1994-1999) (Legend:1991-1996) (MDX:2001-) (TL:1995-), <b>Chevrolet</b> (Metro:1998-1998) (Prizm:1998) (Tracker:1998-1998), <b>Dodge</b> (Colt:1993-1994), <b>Eagle</b> (Summit:1993-1995), <b>Honda</b> (Accord:1994-) (Civic:1991-) (Odyssey:1995-) (Pilot:2003-), <b>Isuzu</b> (All: 1998-), <b>Kia</b> (Sedona:2003-), <b>Mazda</b> (Protege:1995-:1.5L) <b>Mitsubishi</b> (Diamante:1996-)(Galant: 1994-) (Mirage:1993-) (Montero Sport:1997-), <b>Suzuki</b> (1989-1999:w/9mm deep neck) (XL-7:2001-), <b>Toyota</b> (4Runner:1969-) (Camry:1990-1991: V6 w/ auto. trans.) (Camry: 1992-) (Celica: 1990-1998) (Corolla:1993-) (Echo: 2000-) (Paseo:1992-1997) (RAV4:1996-) (Supra:1990-1992 turbo) (Tercel: 1991-1999)
<b>78210-06</b> 2"-11 Female threads	<b>Cadillac</b> (Catera: 1997-2001), <b>Chevrolet</b> (Aveo: 2004-2011, Aveo5: 2006-2011, Epica: 2004), <b>Daewoo</b> (Leganza:1999-2002, Lanos: 1999-2002, Nubira: 1999-2002), <b>Ford</b> (Contour: 1995-2000, Fiesta: 1995-, Focus: 1998-, Fusion:2006-), <b>GM</b> (Achieva, Skylark, Grand Am: 1992-2002), <b>Jaguar</b> (All: 1990-1994, XJ8: 1998-2001, XJR: 1998-2001, XK8: 1997-2006, XKR: 2000-2006, X-Type: 2002-2007), <b>Jeep</b> , <b>Land Rover</b> (Discovery: 1989-2004, Range Rover: 1988-1994), <b>Mercedes-Benz</b> (ML-Class: 1997-2011), Mercury (Mistique: 1995-2000), <b>Pontiac</b> (Le Mans: 1988-1993, G3: 2009, Wave: 2005, Wave5: 2005), <b>Porsche</b> (911: 1999-, Boxter: 1997-), <b>Saab</b> (900: 1994-1998, 9-3: 1999-2003, 9-5: 1999-2008), <b>Saturn</b> (L100: 2001-2002, L200: 2001-2003, L300:2001-2005, L300-1: 2004, L300-2: 2004, L300-3: 2004, LS: 2000, LS1: 2000, LS2: 2000, LW1: 2000, LW2: 2000, LW200: 2001-2003, LW300: 2001-2003, Vue: 2002), <b>Suzuki</b> (Forenza: 2004-2008, Reno: 2005-2008, Swift+: 2004, Verona: 2004-2005)
<b>78210-07</b> 45MMx2.5 Female Threads	<b>Alfa Romeo</b> (145-930: 1994-2001, 146-930: 1994-2001, 164-164: 1987-1998, 166-936: 1998, 33-907A: 1990-1994, 33 sportwagon-907B: 1990-1994, GTV-916C: 1994, Spider-916S: 1994-2005), <b>Citroen</b> (Jumper Box 230L: 1994-2002, Jumper Bus 230P: 1994-2002, Jumper Platform/Chassis 230: 1994-2002), <b>Fiat</b> (Coupe FA/175: 1993-2000, Cromia-154: 1985-1996, Ducato Box-230L: 1994-2002, Ducato Box-244: 2002, Ducato Bus-230: 1994-2002, Ducato Bus-244Z: 2002, Ducato Platform/Chassis230: 1994-2002 Lancia (Delta II-836: 1993-1999, Kappa-938A: 1994-2001, Kappa Coupe-838: 1996-2001, Kappa SW-838B: 1996-2001, Thema-834: 1984-1994, Thema SW-834: 1987-1994), <b>Mini Cooper</b> (S:2002-), <b>Peugeot</b> (206: 1999-, 307:2004-, 406: 1999-, 407: 2004-, 807: 2004-, Boxer Box-230L: 1994-2002, Boxer Bus-230P: 1994-2002, Boxer platform/Chassis-ZCT: 1994-2002), <b>Renault</b> (All-1985-1987, Avantage: 2002-, Espace: 2002-), <b>Saab</b> (900: 1978-1993, 9000: 1986-1998), <b>Sterling</b> (All: 1987-1991), <b>Jeep</b> , <b>Volvo</b> (Passenger vehicles w threaded neck)
<b>78210-08</b> 57MMx3.0 Male Threads	<b>VW</b> (Vento, T4, Passat: 1990-1997, Beetle, Sharan, Cabrio: 1995-2002, Corrado: 1990-1994, Eurovan: 1993-2003, Golf: 1990-1999, 1990-1998: with female thread on filler neck of expansion tank - except 1998 Passat & New Beetle, Jetta: 1990-1999)
<b>78210-09</b> 2 1/2"-9 Male Threads	<b>Audi</b> (A3: 2006-2012, A3-8P1: 2003, A3 Sportback-8PA: 2004, A4: 1996-2012, A4-8EC, B7: 2004-2008, A4 Avant-8ED, B7: 2004-2008, A4 Quattro: 1996-2012, A5: 2011-2012, A5 Quattro: 2008-2012, A6: 1998-2012, A6 Quattro: 1998-2011, A7 Quattro: 2012, A8 Quattro: 2004-2010, Allroad Quattro: 2001-2005, Q5: 2009-2012, Q7: 2007-2012, R8: 2008-2012, RS4: 2007-2008, RS6: 2003, S4: 2000-2012, S5: 2008-2012, S6: 2002-2011, S8: 2007-2009, TT: 2000-2009, TT-8J3: 2006, TT-8N3: 1998-2006, TT Quattro: 2000-2013, TT Roadster-8J9: 2007, TT Roadster 8N9: 1999-2006), <b>BMW</b> (345), <b>Porsche</b> (Cayenne), <b>Seat</b> (Altea-5P1: 2004, Cordoba-6K2: 1999-2002, Cordoba-6L2: 2002-2009, Ibiza III-6K1: 1999-2002, Ibiza IV-6L1: 2002-2009, Leon-1M1: 199-2006), <b>Skoda</b> (Fabia: 2006, Fabia 6Y2: 1999-2008, Fabia Combi: 2007, Fabia Combi-6Y5: 2000-2007, Fabia Praktik: 2001-2007, Fabia Saloon-6Y3: 1999-2007, Laura-1Z3: 2004, Octavia 1U2: 1996-2010, Octavia Combi-1U5: 1998-2010, Octavia Combi-1Z5: 2004, Roomster-5J: 2006, Superb Estate: 3T5: 2009), <b>VW</b> (Beetle: 1998-2012, Caddy III Box-2KA, 2KH, 2CA, 2CH: 2004, Caddy III Estate-2KB, 2KJ, 2CB, 2CJ: 2004, CC: 2009-2013, Crafter 30-35 Bus 2E: 2006, Crafter 30-50 Box 2E: 2006, Crafter 30-50 Platform / Chassis 2F, EOS: 2007-2012, EOS-1F7, 1F8: 2006, Fox-5Z1, 5Z3: 2003, Golf: 1999-2012, Golf Plus-5M1, 521: 2005, Golf V-1K1: 2003-2009, Golf V Variant 1K5: 2007, GTI: 2006-2013, Jetta: 1997-2012, Jetta I Saloon-1K2: 2005-2010, LT 28-35 II Bus-2DM: 1996-2006, LT 28-46 II Box-2DX0AE: 1996-2006, LT 28-46 II Platform/Chassis 2DX0FE: 1996-2006, Multivan Mk V-7HM, 7HN, 7EF, 7EM, 7EN: 2003, New Beetle-9C1, 1C1: 1998, New Beetle Convertible-1Y7: 2002-2010, Passat: 1998-2012, Passat-3B3: 2000-2005, Passat-3C2: 2005, Passat Variant-3B6: 2000-2005, Passat Varian 3C5: 2005, Polo-9N: 2001, Polo Saloon: 2002, R32: 2008, Rabbit: 2006-2009, Tiguan: 2009, Touareg: 2004-2012, Touran-1T1, 1T2, 1T3: 2003, Transporter/Caravelle MK V Bus-7HB, 7HJ, 7EB, 7EJ, 7EF: 2003, Transporter MK V Box-7HA, 7HH, 7EA, 7EH: 2003, Transporter MK V Platform/Chassis-7JD, 7JE, 7JL, 7JY, 7JZ: 2003)



Model:

**78585**

Product Type:

**MASTER UNIVERSAL RADIATOR  
PRESSURE TESTER & VACUUM SYSTEM KIT**

<b>Parts No.</b>	<b>Description</b>
<b>78210-10</b> 50MMx4.0 Female Threads	<b>BMW</b> (3-E30: 1982-1992, 3-E36: 1990-1998, 3-E46: 1998-2005, 3-E90: 2005, 3 Compact-E36: 1994-2000, 3 Compact-E46: 2001-2005, 3 Convertible-E30: 1985-1993, 3 Convertible-E36: 1993-1999, 3 Convertible-E46: 2000, 3 Coupe-E36: 1992-1999, 3 Coupe-E-46: 1999, 3 Touring-E30: 1987-1994, 3 Touring-E36: 1995-1999, 3 Touring-E46: 1999-2005, 3 Touring-E91: 2005, 5-E28: 1980-1990, 5-E34: 1987-1995, 5-E39: 1995-2003, 5-E60: 2003, 5 Touring-E34: 1991-1997, 5 Touring-E39: 1997-2004, 7-E23: 1977-1986, 7-E32: 1986-1994, 7-E38: 1994-2001, 7 E65, E66: 2001, 8-E31: 1990-1999, X3-E83: 2004, X3-E53: 2000, Z3-E36: 1995-2003, Z3 Coupe-E36: 1997-2003, Z4-E85: 2003, Z4 Coupe-E86: 2006, Z8-E53: 2000-2003, Brilliance 3 Series-E46: 2003-2005, Brilliance 3 Series-E90: 2004), <b>Landrover</b> (Freelander-LN: 1998, Range Rover III-LM: 2002)
<b>78210-11</b> 48MMx3.0 Female Threads	<b>Audi</b> (1975-1993: w/ male thread on expansion tank), <b>VW</b> (1975-1993: w/ male thread on expansion tank, Golf: 1983-1992, Cabriolet: 1985-1993, Dasher: 1980-1981, Fox: 1987-1993, Golf: 1985-1990, Jetta: 1980-1990, Quantum: 1980-1988, Rabbit: 1975, Rabbit Convertible: 1980-1984, Scirocco: 1975-1988)
<b>78210-12</b> 50MMx3.0 Female Threads	<b>Caterham</b> (Super Seven 1990-1999), <b>Ford</b> (Cougar 1998-2001, Mondeo 1996-2007, Mondeo Estate Wagon: 1996-2007, Transit 260: 2000-2006, Transit 280: 2000-2006, Transit 300: 2000-2006, Transit 330: 2000-2006, Transit 350: 2000-2006, Transit 425: 2003-2006, Transit 430: 2001-2006, Transit Tourneo: 2000-2006, Courier III: 1990-1995, Courier IV: 1995-2001, Escort 55 IV: 1986-1990, Escort 55 VI: 1994-2000, Escort 75 VI: 1994-2000, Escort IV: 1986-1990, Escort V: 1990-1996, Escort VI: 1995-2000, Fiesta Classic: 1987-1989, Fiesta II: 1989-1989, Fiesta III: 1989-1996, Fiesta IV: 1995-1999, Fiesta V: 1999-2002, Fiesta Van 11: 1987-1989, Fiesta Van 111: 0989-1996, Fiesta Van 1V: 1995-2002, Fiesta Van V: 1999-2002, Fiesta Van V1: 2002-2008, Fiesta V1: 2002-2008, Focus 1: 1998-2005, Focus Wagon 1: 1998-2005, Fusion: 2002-2005, Granada Scorpio: 1985-1994, Ka 1: 1996-2005, Mondeo 1: 1993-1996, Mondeo 11: 1996-1998, Mondeo Wagon 1: 1993-1996, Mondeo Wagon 11: 1996-2000, Orion 11: 1986-1990, Orion 111: 1990-1993, P100 Sierra: 1989-1994, Puma 1: 1997-2002, Scorpio 1: 1984-1994, Scorpio 11: 1994-1998, Sierra Cosworth 11: 1987-1993, Sierra 1: 1984-1987, Sierra11: 1987-1993, Sierra Sapphire 11: 1987-1993, Streetka 1: 2003-2005, Transit 100: 1994-1999, Transit 120: 1994-1999, Transit 150: 1994-1999, Transit 190: 1994-1999, Transit Connect: 2002-), <b>Landrover</b> , <b>Mazda</b> (2: 2002-2007, 121: 1996-2002), <b>Opel</b> (Agila: 2000-2008, Ascona B: 1978-1981, Ascona C: 1981-1988, Astra Cabrio F: 1993-2001, Astra Cabrio G: 2001-2005, Astra Classic F: 1998-2002, Astra Coupe G: 1999-2005, Astra F: 1991-1998, Astra G: 1998-2005, Astra H: 2004-2005, Astra Van F: 1991-1998, Astra Van G: 1998-2004, Calibra: 1989-1998, Combo Corsa B: 1992-2001, Combo Corsa C: 2001-2004, Corsa A: 1982-1993, Corsa B: 1993-2000, Corsa C: 2000-2006, Corsa Van A: 1982-1994, Corsa Van B: 1994-2001, Corsa Van C: 2000-2003, Frontera A: 1991-1998, Kadett 0: 1979-1984, Kadett E: 1984-1992, Kadett Van E: 1984-1992, Manta A: 1974-1975, Manta B: 1975-1988, Meriva: 2003-2005, Monza: 1981-1987, Omega A: 1986-1994, Omega B: 1994-2003, Senator A: 1981-1987, Senator B: 1987-1993, Tigra A: 1994-2001, Tigra B: 2004, Vectra A: 1988-1995, Vectra B: 1995-2003, Zafira A: 1999-2005, Zafira Van: 2002-2003), <b>Saab</b> (900 11: 1993-1998), <b>Skoda</b> (Favorit: 1989-1995, Favorit Forman: 1993-1995, Felicia - 6U1: 1994-2000), <b>Ssangyong</b> , <b>Vauxhall</b> (Astra Cabrio 111: 1991-2001, Astra Cabrio 1V: 2001-2007, Astra Coupe 1V: 1999-2005, Astra 1: 1979-1984, Astra 11: 1984-1991, Astra 111: 1991-1998, Astra 1V: 1998-2005, Astra Van 111: 1991-1996, Astra Van 1V: 1998-2005, Astramax: 1985-1991, Astravan 1 1982-1984, Astravan 11 1984-1991, Belmont: 1986-1991, Calibra: 1990-1998, Carlton: 1983-1994, Cavalier 11: 1981-1988, Cavalier 111: 1988-1995, Combo: 1993-2004, Combo Crew Van: 2001-2006, Corsa 1: 1993-2000, Corsa 11: 2000-2006, Corsa Van 1: 1993-2001, Corsa Van 11: 2001-2006, Frontera A: 1991-1998, Meriva: 1982-1993, Nova: 1982-1993, Nova Van: 1990-1993, Omega: 1994-2003, Senator: 1987-1993, Tigra: 1994-2004, Vectra 1: 1999-2005, Zafira A: 1999-2005, Zafira B: 2005-2007)
<b>78210-13</b> 60MMx5.0 Female Threads	<b>Chrysler</b> (Crossfire: 2004-), <b>Mercedes</b> (w/ thread filler neck on expansion tank, except M-Class, 300SE: 1992-1993, 400SE: 1992, 400SEL: 1993, 500SEC: 1993, 500SEL: 1992-1993, 500SL: 1990-1993, 600SEC: 1993, 600SEL: 1992-1993, 600SL: 1993, C230: 2002, C240: 2001-2005, C280: 1994-2007, C300: 2008-2009, C32 AMG: 2002-2004, C320: 2001: 2005, C350: 2008, C36 AMG: 1995-1997, C43 AMG: 1998-2000, CL500: 1998-2006, CL55 AMG: 2001-2002, CL600: 1998-2006, CL65 AMG: 2005-2006, CLK 320: 1998-2005, CLK 430: 1999-2003, CLK500: 2003-2005, CLK55 AMG: 2001-2005, E300: 1996-1997, E320: 1996-2005, E350: 2006-2009, E420: 1997, E430: 1998-2002, E500: 2003-2006, E55 AMG: 1999-2002, E550: 2009, G500: 2002-2005, G55 AMG: 2003-2005, GL450: 2007-2008, ML350: 2006-2008, ML500: 2006-2007, ML550: 2008-2009, S320: 1994-1999, S350: 1994-2006, S420: 1994-1999, S500: 1994-2006, S55 AMG: 2001-2006, S600: 1994-2006, S65 AMG: 2006, SL320: 1994-1997, SL500: 1994-1998, SL600: 1994-2002, SLK280: 2006-2008, SLK32 AMG: 2002-2004, SLK 320: 2001-2004, SLK 350: 2006-2008, SLK55 AMG: 2008)
<b>78210-14</b> 52MMx3.0 Female Threads	<b>Ford</b> (Mondeo: 2000-2007, Focus: 2000-2005, C-MAX03, Contour: 1995-2000), <b>Mercury</b> (Cougar: 1999, Mystique: 1995-1999)
<b>78210-15</b> 48MMx2.5 Female Threads	<b>Ford International</b> (C-Max: 2007-2012, C-Max 11: 2010, Fiesta V JH, J0: 2001, Fiesta Van: 2009, Fiesta V1: 2009, Fiesta V1: 2008, Focus C-Max: 2003-2007, Focus 11 0A: 2004, Focus 11 Convertible: 2006, Focus 11 Estate 0AW: 2004, Focus Saloon 0A: 2005, Focus 11 Station Wagon 0AW: 2004, Focus 111: 2011, Focus 111 Saloon: 2011, Focus 111 Turnier: 2011, Galaxy: 2006, Grand C-Max: 2010, Kuga: 2008, Mondeo 1V: 2007, Mondeo 1V Saloon: 2007, Mondeo 1V Turnier: 2007, Rager: 2011, S-Max: 2006, Transit Bus: 2006, Transit Flatbed Chassis: 2006, Transit Tourneo: 2006), <b>Ford Asia &amp; Oceania</b> (Fiesta: 2002-2013, Focus: 2004-2011, Focus Estate Wagon: 2011, Mondeo: 2007, Ranger: 2011), <b>Ford Europe</b> (B-Max: 2012, C-Max: 2007-2012, Fiesta: 2001-2013, Fiesta Van: 2008-2010, Focus: 2004-2013, Focus CC: 2006-2011, Focus C-Max: 2003-2007, Focus Estate Wagon: 2004-2013, Focus Van: 2005-2013, Galaxy: 2006-2011, Galaxy Van: 2006-2010, Grand C-Max: 2010-2012, Kuga: 2008-2012, Mondeo: 2007-2012, Mondeo Estate Wagon: 2007-2011, S-Max: 2006-2011, Transit 250: 2011, Transit 260: 2006, Transit 280: 2006, Transit 300: 2006, Transit 330: 2006-2013, Transit 350: 2006-2013, Transit 370: 2006, Transit 410: 2006, Transit 430: 2006-2013, Transit 460: 2006, Transit Custom 250: 2012, Transit Custom 270: 2012, Transit Custom 290: 2012, Transit Custom 300: 2012, Transit Custom 310: 2012, Transit Custom 330: 2012, Transit Tourneo: 2012, Transit Tourneo Custom: 2012), <b>Ford USA</b> (Ranger: 2011), <b>Ford Australia</b> (Fiesta WS: 2008, Fiesta Hatchback WT: 2010, Fiesta Saloon WT: 2010, Focus Hatchback LT: 2005, Focus Hatchback LV:



Model:

**78585**

Product Type:

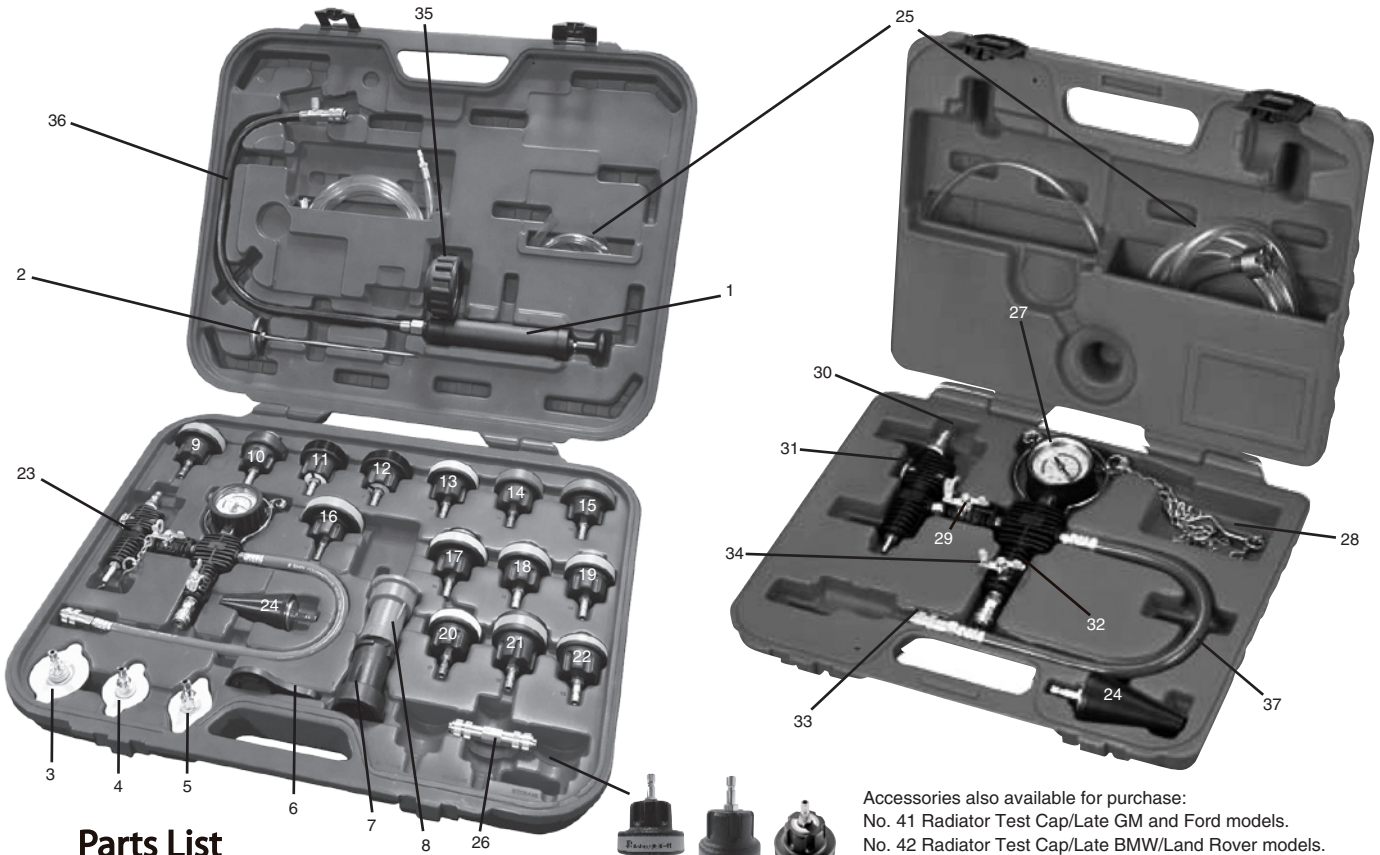
**MASTER UNIVERSAL RADIATOR  
PRESSURE TESTER & VACUUM SYSTEM KIT**

Parts No.	Description
<b>78210-15</b> 50MMx2.5 Female Threads	2009-2011, Focus Hatchback LT: 2005, Focus Saloon LS, LT: 2005, Focus Saloon LV: 2009-2011, Mondeo Hatchback MA, MB: 2007), <b>Land Rover</b> (Freelander 2 FA: 2006, Range Rover Evoque: 2011, Freelander: 2006-2013, LR2: 2006), <b>Mazda</b> (2: 2007, 3: 2003-2013, 5: 2010, 2 OE: 2007, 3 BK: 2003, 3 BL: 2009, 3 Saloon BK: 2000-2009, 3 Saloon BL: 2009, 5 CW: 2010, Axela: 2003, BT50: 2011), <b>Volvo</b> (C30: 2006-2012, C70: 2005-201, C70 11 Convertible: 2006, S40: 2004-2010, S40 11 MS 2004, S60: 2010-2013, S60 11: 2010, S80: 2006-201, S80 11 AS: 2006, V40: 2012, V40 Cross Country: 2012, V40 Hatchback: 2012, V50: 2003-2012, V50 NW: 2004, V60: 2010-2013, V70: 2007-2012, V70 III Estate: 2007, XC60: 2008, XC70: 20 7-2012, XC70 Cross Country: 2007-2011, XC70 11: 2007)
<b>78585-16</b> 43MMx2.5 Female Threads	<b>Mercedes</b> (A140: 19 7-2004, A150: 2004-2012, A160: 1997-2012, A170:1998-2012, A180: 220004-2012, A190: 1999-2004, A200:2004-2012, A21 AMG: 2002-2004, A210: 2002-2004, B150: 2009-2011, B160: 2009-2011, B170: 2005-2011, B180: 200 -2011, B200:2005-2011, Vaneo: 2001-2005, Vaneo 1.6: 2002, Vaneo 1.7: 2002, Vaneo 1.9: 2002, W168: 1997-2004)
<b>78585-17</b> 2"-8 Female Threads	<b>BMW</b> (X5: 2000-2011, X5 M: 2009-2012, X5 xDrive 30i: 2008-2010, X5 xDrive 48i, X5 xDrive 50i: 2010-2012, X6: 2008-2012, ActiveHybrid X6: 2010, X6 M: 2009, X6 xDrive 35i: 2008-2013, X6 xDrive 50i: 2008, Z3: 1996-2002, Z4: 2003-2008, Z8:2000-2003)
<b>78585-18</b> 48MMx3.0 Female Threads	<b>Ford</b> (Galaxy Van : 1995-2006), <b>SEAT</b> (Alhambra Van: 1996-2010), <b>VW</b> (Sharan Van: 1996-2010)
<b>78585-19</b> 1 5/16"-9 Male Threads	<b>Lexus</b> (GS460: 2008-2011, HS 250h: 2010, ISF:: 2008-2013, LS460: 2007-2013, LS 600h: 2008-2012), <b>Scion</b> (tC: 2011-2012, xB: 2008-2012), <b>Toyota</b> (Celica: 2000-2005, MR2 Spyder: 2000-2005, Prius: 2010-2011, RAV4: 2006-2012)
<b>7858541</b> 52MMx3.0 Female Threads	<b>Buick</b> (LaCrosse: 2005, Rainier: 2005-2007), <b>Cadillac</b> (CTS: 2006, Escalade: 2004-2007, SRX: 2004-2007, STS: 2005-2006, BLS: 2007), <b>Chevrolet</b> (Avalanche 1500: 2002-2006, Avalanche: 2007, Cavalier: 1999-2005, Classic: 2004, Cobalt: 2007, Colorado: 2004-2007, Equinox: 2005-2007, Express 1500: 2004-2007, Express 2500: 2003-2007, Express 3500: 2003-2007, HHR: 2007, Malibu: 2001-2007, Silverado 1500: 1999-2007, Silverado 1500 H0: 2002-2007, Silverado 2500: 1999-2004, Silverado 2500 H0: 2001-2007, Silverado 3500: 2001-2007, Silverado 3500 H0: 2007, SSR: 2006, Suburban 1500: 2001-2007, Suburban 2500: 2001-2007, Tahoe: 2000-2007, Trailblazer: 2002-2007, Viva:2003-2008), <b>Fiat</b> (Croma: 2005-2013), <b>Ford</b> (Crown Victoria: 1993-2011, E-150: 2003-2012, E-150 Club Wagon: 2003-2005, E-150 Econoline: 1992-2002, E-150 Econoline Club Wagon: 1992-2012, E-250 Econoline: 1992-2002, E-250 Super Outy: 2004-2005, E-350: 2003, E-350 Club Wagon: 2003-2005, E-350 Econoline: 1992-2002, E-350 Econoline Club Wagon: 1992-2002, E-350 Super Outy: 2004-2012, Edge: 2007-2012, Excursion: 2000-2005, Expedition: 1997-2008, Explorer: 2002-2012, F-150: 1997-2012, F-250 Super Outy: 1999-2012, F-350 Super Outy: 2005-2012, F-450 Super Outy: 2005-2012, F-550 Super Outy: 2005-2012, Five Hundred: 2005-2007, Flex: 2009-2012, Freestar: 2004-2007, Fusion: 2006-2012, Mustang: 1996-2014, Ranger: 1998-2011, Taurus: 1996-2012, Thunderbird: 2002-2005, Windstar: 1999-2003), <b>GMC</b> (Canyon: 2004-2007, Envoy: 2003-2007, K2500 Suburban: 1999, Savana 1500: 2003-2007, Savana 2500: 2003-2007, Savana 3500: 2004-2007, Sierra 1500: 1999-2007, Sierra 1500 H0: 2001-2007, Sierra 2500: 1999-2004, Sierra 2500 H0: 2001-2007, Sierra 3500: 2001-2007, Sierra 3500 H0: 2007, Sierra C3: 2001, Yukon: 2000-2006, Yukon XL 1500: 2000-2007, Yukon XL 2500: 2001-2007), <b>Hummer</b> (H2: 2004-2006, H3: 2006), <b>Isuzu</b> (Ascender: 2003-2006, i-280: 2006, i-290: 2007), <b>Lincoln</b> (Continental: 1995-2002, Mark V111: 1993-1998, MKS: 2009-2012, MKT: 2010-2012, MKX: 2007-2012, MKZ: 2007-2012, Town Car: 1993-2011, Zephyr: 2006), <b>Mazda</b> (Mazda 6: 2006), <b>Mercury</b> (Cougar: 1993-1997, Grand Marquis: 1993-2011, Milan: 2006-2011, Monterey: 2004-2007, Sable: 1996-2009), <b>Oldsmobile</b> (Alero: 1999-2004, Cutlass: 1999, Intrigue: 2002), <b>Opel</b> (Astra: 2004-2013, Astra Cabrio: 2003-2006, Astra Classic: 2006-2009, Astra Coupe: 2003-2005, Astra GTC: 2005-2011, Astra H: 2004-2010, Astra Van: 2004-2010, Corsa: 2006-2013, Corsa 0: 2007-2011, Corsa Van: 2006-2010, Meriva: 2006-2010, Signum: 2003-2008, Vectra: 2002-2008, Zafira: 2005, Zafira B: 2005-2011, Zafira Van: 2005), <b>Pontiac</b> (G5: 2007, G6: 2006, Grand Am: 199-2005, Grand Prix: 2005-2006, Pursuit: 2005-2006, Solstice: 2006-2007, Sunfire: 2005), <b>Saab</b> (9-3: 2003-2012, 9-3 Sport: 2002-2012, 9-3 X: 2009-2012, 9-7 X: 2007), <b>Saturn</b> (Aura: 2007, Ion 1: 2003-2005, Ion 2: 2003-2007, Ion 3: 2003-2007, Outlook: 2007, Sky: 2007, Vue: 2005-2007), <b>Suzuki</b> (XL-7: 2007), <b>Vauxhall</b> (Astra: 2002-2011, Astra Cabrio: 2006-2011, Astra Coupe: 2005-2008, Astra GTC: 2004-2011, Combo: 2005-2011, Corsa: 2006-2012, Meriva: 2006-2010, Signum: 2003-2008, Vectra: 2002-2008, Zafira: 2005-2013)
<b>7858542</b> 45MMx3.0 Female Threads	<b>BMW</b> (550i 2010-2012, 550i Gran Turismo: 2012, 550i GT: 2010-2012, 550i GT xDrive: 2011-2012, 550i xDrive Gran Turismo: 2012, 550i X: 2011-2012, 550i XGT: 2010-2012, 650i: 2012, 650i Cabrio: 2012, 650i Convertible: 2011-2012, 650i Coupe: 2011-2012, 650i: Gran Coupe: 2012, 650i xDrive Gran Coupe: 2012, 650iX Convertible: 2012, 650i X Coupe: 2012, 750i: 2009-2012, 750i Active Hybrid: 2011, 750i xDrive: 2010-2011, 750i X: 2010, 750Li: 2009-2012, 750 Li Active Hybrid: 2011, 750 LiX: 2010, 760i: 2010-2012, 760Li: 2010-2012, Alpi a B7: 2010-2012, Alpina B7 xDrive: 2011-2012, Alpina B7L: 2010-2012, Alpina B7L xDrive: 2011-2012, Alpina B7LX: 2011-2012, Alpina B7X: 2011-2012, Hybrid 5: 2012, M5: 2012, M6 Convertible: 2012, X5: 2004-2012, X5 50iX: 2011, X5 M: 2009-2010, X5 xDrive 48i: 2008-2010, X5 xDrive 50i: 2010, X6: 2008-2012, X6 50iX: 2008-2010, X6 Active Hybrid: 2010, X6 Hybrid: 2010-2011, X6 M: 2009-2010, X6 xDrive 50i: 2008), <b>Land Rover</b> (Range Rover: 2003-2005), <b>Mini</b> (Cooper:2008-2012, Cooper Clubman: 2008-2012, Cooper Countryman: 2011-2012, Cooper Convertible: 2009-2012, Cooper S Clubman: 2008-2012, Cooper S Convertible: 2009-2012, Cooper SX: 2011-2012, Cooper Works: 2007-2012, Cooper Works Clubman: 2008-2012, Cooper Works Convertible: 2009-2012, Cooper S:2007-2012, Mini Clubman: 2007-2013, Mini Clubvan: 2010-2012, Mini Cooper: 2006-2013, Mini Countryman: 2010-2013, Mini Coupe: 2011, Mini One: 2009-2010, Mini Roadster: 2012)
<b>7858523</b> 62MMx3.0 Male Threads	<b>Audi</b> (A4, A4 Quattro, A4 Allroad: 2015+, A5 Quattro: 2015+, A6, A6 Quattro: 2015+, A7 Quattro: 2016+, S4: 2016+, S5: 2016+, S6: 2016+, RS7, S7: 2016+, SQ5, Q5: 2015+, Q7: 2015), <b>Porsche</b> (Many Late model 2016+), <b>VW</b> (Beetle: 2016+, CC: 2016+, Eos: 2016+, Jetta: 2016+, Passat: 2016+, Touareg: 2016+)

• 41, 42 and 23 are additional cap sold separately

## PARTS BREAKDOWN

Call 1.800.221.9705 for questions concerning performance of the product or other inquiries.



### Parts List

Index No.	Part No.	Description	Qty
1	7858-01	Pump Hose & Gauge	1
2	7858-0	Temperature Gauge	1
3	7858-03	No.3 Radiator Cap (Steel)	1
4	7858-04	No.4 Radiator Cap (Steel)	1
5	7858-05	No.5 Radiator Cap (Steel)	1
6	78210-16	Handle	1
7	78210-02A	Black Radiator Cap Test Connector R123/R124	1
8	78210-02B	Blue Radiator Cap Test Connector R123/R125	1
9	78210-06	No.6 Radiator Cap (NYLON 66) - Orange	1
10	78210-07	No.7 Radiator Cap (NYLON 66) - Brown	1
11	78210-08	No.8 Radiator Cap (NYLON 66) - White	1
12	78210-09	No.9 Radiator Cap (NYLON 66) - Violet	1
13	78210-10	No.10 Radiator Cap (NYLON 66) - Grey	1
14	78210-11	No.11 Radiator Cap (NYLON 66) - Red	1
15	78210-12	No.12 Radiator Cap (NYLON 66) - Green	1
16	78210-13	No.13 Radiator Cap (NYLON 66) - Blue	1
17	78210-14	No.14 Radiator Cap (NYLON 66) - Yellow	1
18	78210-15	No.15 Radiator Cap (NYLON 66) - Pink	1
19	78210-16	No.16 Radiator Cap (NYLON 66) - Purple	1
20	78210-17	No.17 Radiator Cap (NYLON 66) - Light Blue	1

Index No.	Part No.	Description	Qty
21	78210-18	No.18 Radiator Cap (NYLON 66) - Turquoise	1
22	78210-19	No.19 Radiator Cap (NYLON 66) - Violet	1
23	78585-20	Vacuum Type Purge and Refill Tool	1
24	78585-209	Universal Rubber Radiator Adaptor	1
25	78585-22	Coolant Hose	1
26	78581	Universal Adapter for Astro Model 78585	1
27	78585-201	Gauge	1
28	78585-202	Hook	1
29	78585-203	Valve	1
30	78585-204	Air Supply	1
31	78585-205	Off/On Button	1
32	78585-206	Valve	1
33	78585-207	Radiator Cap Quick Coupler	1
34	78585-208	Coolant Hose Quick Coupler	1
35	7858-01G	Gauge	1
36	7858-01H	Hose Assembly	1
37	7858-201A	Blue Gauge Hose	1

Accessories also available for purchase:  
 No. 41 Radiator Test Cap/Late GM and Ford models.  
 No. 42 Radiator Test Cap/Late BMW/Land Rover models.  
 No. 23 Radiator Test Cap/Late Model Audi, VW, Porsche.

Accessories also available for purchase:  
 Item # 7858541 – No. 41 Radiator Test Cap/Late GM and Ford models.  
 Item # 7858542 – No. 42 Radiator Test Cap/Late BMW/Land Rover models.  
 Item # 7858523 – No. 23 Radiator Test Cap/Late Model Audi, VW, Porsche.