



**Blackhawk  
Automotive**<sup>TM</sup>

Blackhawk Automotive is a Licensed Trade Mark

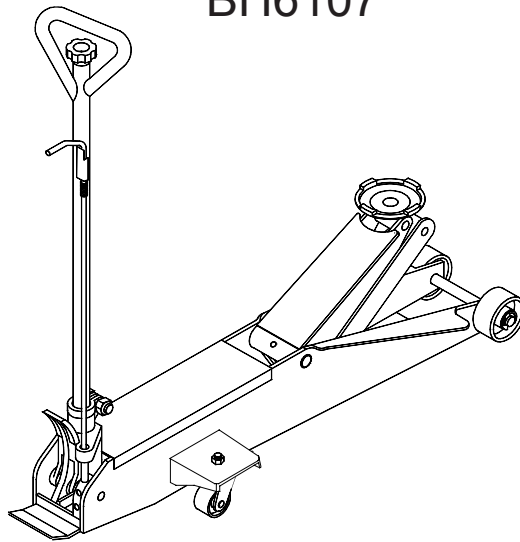
Made by ©SFA Companies, Kansas City, MO

# Magic Lift<sup>TM</sup> Hydraulic Service Jacks

## Operating Instructions & Parts Manual

Model  
BH6057  
BH6107

Capacity  
5 Ton  
10 Ton



### **!WARNING**

To avoid **crushing and related injuries**:



**NEVER** work on, under or around a load supported only by a hydraulic jack. **ALWAYS** use adequately rated jack stands.

- ⚠ **WARNING:** Cancer and Reproductive Harm.
  - ⚠ **AVERTISSEMENT:** Cancer et dommages au système reproducteur.
  - ⚠ **ADVERTENCIA:** Cáncer y daño reproductivo.
- [www.P65Warnings.ca.gov](http://www.P65Warnings.ca.gov)

SFA Companies  
10939 N. Pomona Ave. Kansas City, MO 64153  
[sales@blackhawk-automotive.com](mailto:sales@blackhawk-automotive.com)

**Read this manual and follow all the Safety Rules and Operating Instructions before using this product.**

## SAFETY and GENERAL INFORMATION

**Save these instructions.** For your safety, read, understand, and follow the information provided with and on this jack before using. The owner and operator of this equipment shall have an understanding of this jack and safe operating procedures before attempting to use. The owner and operator shall be aware that use and repair of this product may require special skills and knowledge. Instructions and safety information shall be conveyed in the operator's native language before use of this jack is authorized. If any doubt exists as to the safe and proper use of this jack, remove from service immediately.

**Inspect before each use.** Do not use if broken, bent, cracked or damaged parts are noted. Any jack that appears damaged in any way, or operates abnormally shall be removed from service immediately. If the jack has been or suspected to have been subjected to a shock load (a load dropped suddenly, unexpectedly upon it), immediately discontinue use until jack has been checked by a factory authorized service center (contact distributor or manufacturer for list of authorized service centers). It is recommended that an annual inspection be done by qualified personnel. Labels and Operator's Manuals are available from manufacturer.

## PRODUCT DESCRIPTION

This Hydraulic Service Jack is designed to lift, but not support, one end of a vehicle. Immediately after lifting, loads must be supported by an identical pair of appropriately rated jack stands. This MagicLift™ service jack has a unique feature that provides fast, no load lifts to the jacking point, at which time it lifts in approximately 3/4" ~ 2" increments.

**⚠ WARNING: NEVER use hydraulic jack as stand-alone device. After lifting, immediately support the lifted vehicle with an identical pair of appropriately rated jack stands.**

## SPECIFICATIONS

Model	Capacity	Jack Size (L x W x H)	Min. Height	Max. Height
BH6057	5 Ton	54" x 18-3/8" x 7-1/4"	6-1/2"	22-1/4"
BH6107	10 Ton	55-7/8" x 18-1/2" x 9-5/8"	6-7/8"	27"

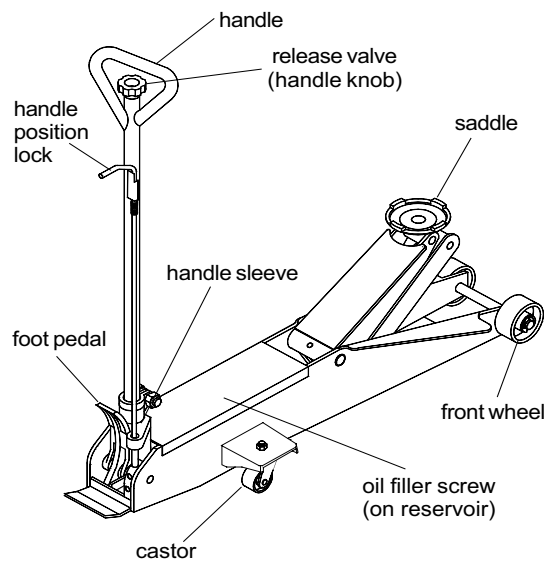


Figure 1 - Model BH6057 & BH6107 Components

## PREPARATION

### Assembly

Insert handle into the handle sleeve. Tighten the bolt on handle sleeve to prevent accidental removal of handle while in use.

### Before Use

1. Verify that the product and application are compatible, if in doubt call Blackhawk Technical Service (888) 332-6419.
2. Before using this product, read the operator's manual completely and familiarize yourself thoroughly with the product, its components and recognize the hazards associated with its use.
3. To familiarize yourself with basic operation, locate and turn the release valve (handle):
  - a. *Clockwise* until firm resistance is felt to further turning. This is the '**CLOSED**' release valve position used to **raise** the saddle.
  - b. *Counter-clockwise*, but no more than 1/2 a turn from the closed position. This is the '**OPEN**' release valve position used to **lower** the saddle.
4. With the saddle fully lowered and release valve closed, pump the operating handle. If lift arm responds immediately, jack is ready for use. If jack does not respond, open release valve and pump 6 ton 8 full strokes to purge air. Close release valve and recheck operation.
5. Ensure that jack rolls freely. Raise and lower the unloaded saddle throughout the lifting range before putting into service to ensure the pump operates smoothly. Replace worn or damaged parts and assemblies with Blackhawk authorized replacement parts only.

### Bleeding / Venting Trapped Air

With the release valve in the OPEN position (3b.) and with saddle fully lowered, locate and remove the oil filler plug. Pump 6 to 8 full strokes. This will help release any pressurized air which may be trapped within the reservoir. Reinstall the oil filler plug.

## !WARNING

- **Study, understand, and follow** all printed materials provided with/on this product **before use**.
- **Do not** exceed rated capacity.
- Use **only** on hard, level surface capable of supporting the load.
- **This is a lifting device only! Immediately** after lifting, support the load with **an identical pair** of appropriately rated jack stands.
- Lift **only** on areas of the vehicle as specified by the vehicle manufacturer.
- **Do not** move or **dolly** the **vehicle** while on the jack.
- No alterations shall be made to this product.

**FAILURE TO HEED THESE MARKINGS MAY  
RESULT IN PERSONAL INJURY AND/OR  
PROPERTY DAMAGE**

## !WARNING




To avoid **crushing and related injuries**:


- **Never** work on, under or around a load supported only by hydraulic jack.
- **Always** use adequately rated jack stands.
- Chock each unlifted tire in both directions.
- **Do not** use this device to lift, level, lower, support nor move a house, mobile home, travel trailer, camper or any building structure.
- **Be alert** and **sober** when using this product. Do not operate under the influence of drugs or alcohol.

## OPERATION


### Lifting

 **NOTICE** Only attachments and/or adapters supplied by the manufacturer shall be used. Lift only on area of the vehicle as specified by the vehicle manufacturer.

1. Follow the vehicle manufacturer's recommended guidelines for lifting. Engage the emergency brake and chock each unlifted wheel in both directions to prevent inadvertent vehicle movement.
2. Close the release valve by turning the handle clockwise until firm resistance is felt.
3. Refer to the vehicle manufacturer owner's manual to locate approved lifting points on the vehicle. Center jack saddle under lift point.
4. Verify lift point, then pump handle to contact lift point. To lift, pump handle until load reaches desired height. **Never** use foot pedal to raise loads.
5. Transfer the load **immediately** to appropriately rated jack stands.

 **WARNING:** NEVER use hydraulic jack as a stand alone device! **ALWAYS** transfer the lifted load **IMMEDIATELY** to an identical pair of appropriately rated jack stands. Use one pair of jack stands per vehicle. Rated capacity is per pair only! Do not exceed rated capacity.

### Lowering

 **NOTICE** Be sure all tools and personnel are clear before lowering load. **Slowly open the release valve!** The more you turn the handle counter-clockwise, the faster the load will come down. **Maintain control** of the rate of speed at which the load lowers at all times!

1. Raise load high enough to clear the jack stands.
2. Remove jack stands carefully. (**always** used in pairs).
3. **Slowly** turn the handle counter-clockwise, but no more than 1/2 a turn.

#### If the load fails to lower:

- a. Use another jack to raise the vehicle high enough to reinstall jack stands.
  - b. Remove the malfunctioning jack and then the jack stands.
  - c. Using the functioning jack to lower the vehicle.
4. After removing jack from under the vehicle, fully lower the saddle to reduce ram exposure to rust and contamination.

## MAINTENANCE

**Important:** Use **ONLY** premium grade hydraulic jack oil. Avoid mixing different types of fluid and **Never** use brake fluid, turbine oil, transmission fluid, motor oil or glycerin. Improper fluid can cause failure of the jack and the potential for sudden and immediate loss of load.

### Adding oil

1. With saddle fully lowered set jack in its upright, level position. Locate and remove oil filler screw.
2. Fill with oil until ~3/16" above the inner cylinder as seen from the oil filler hole. Reinstall the oil filler screw.

### Changing oil

For best performance, replace the complete fluid supply at least once per year.

1. With saddle fully lowered, remove oil filler plug.
2. Lay the jack on its side and drain the fluid into a suitable container.

**Note:** Dispose of hydraulic fluid in accordance with local regulations.

3. Fill with oil until ~3/16" above the inner cylinder as seen from the oil filler hole. Reinstall oil filler screw.
4. Perform bleeding/venting trapped air procedure.

### Lubrication

A periodic coating of light lubricating oil to pivot points, axles and hinges will help to prevent rust and assure that wheels, casters and pump assemblies move freely.

### Cleaning

Periodically check the pump piston and ram for signs of rust or corrosion. Clean as needed and wipe with an oily cloth.

**Note:** Never use sandpaper or abrasive material on these surfaces!

### Storage

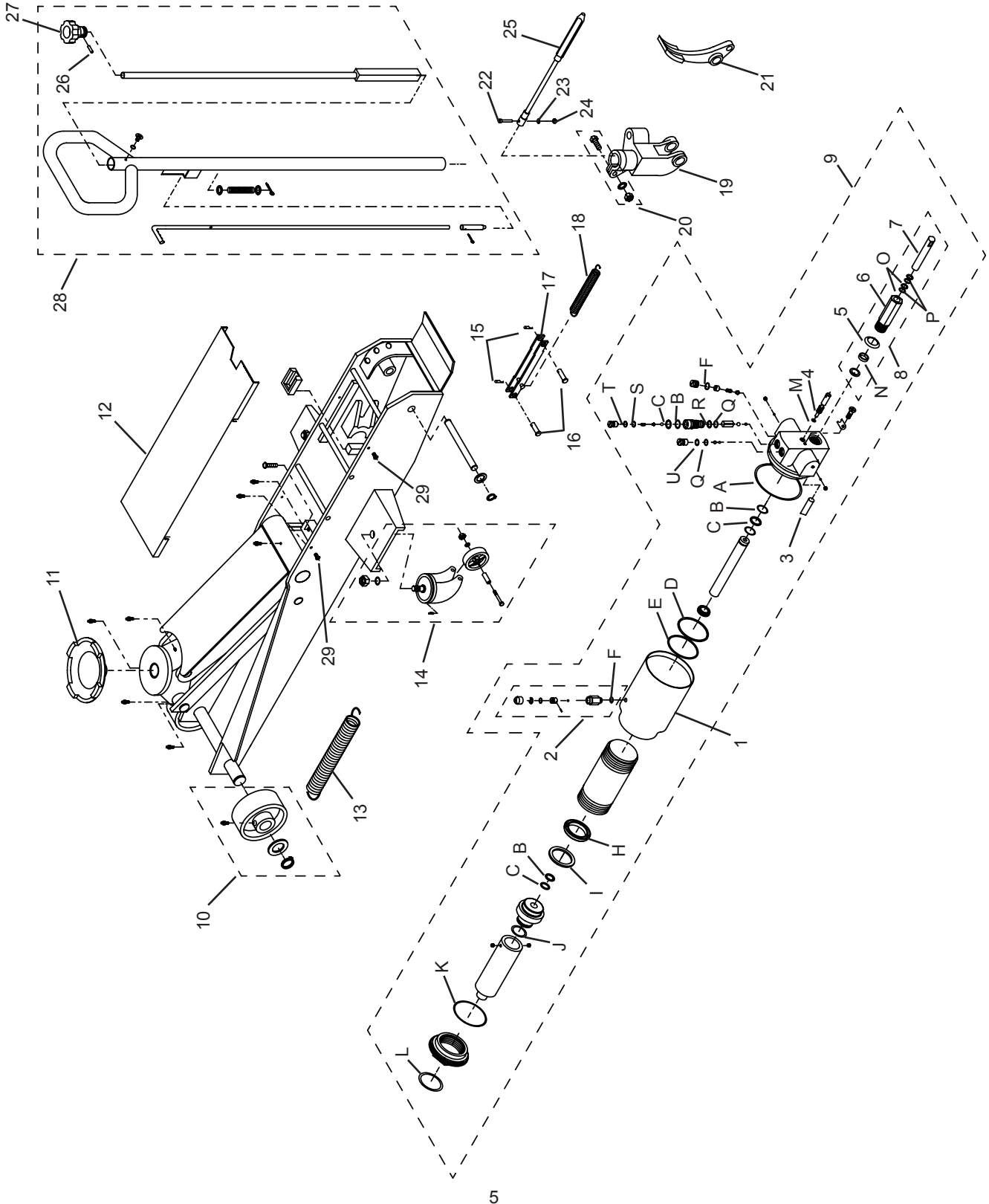
When not in use, store the jack with saddle fully lowered.

# REPLACEMENT PARTS

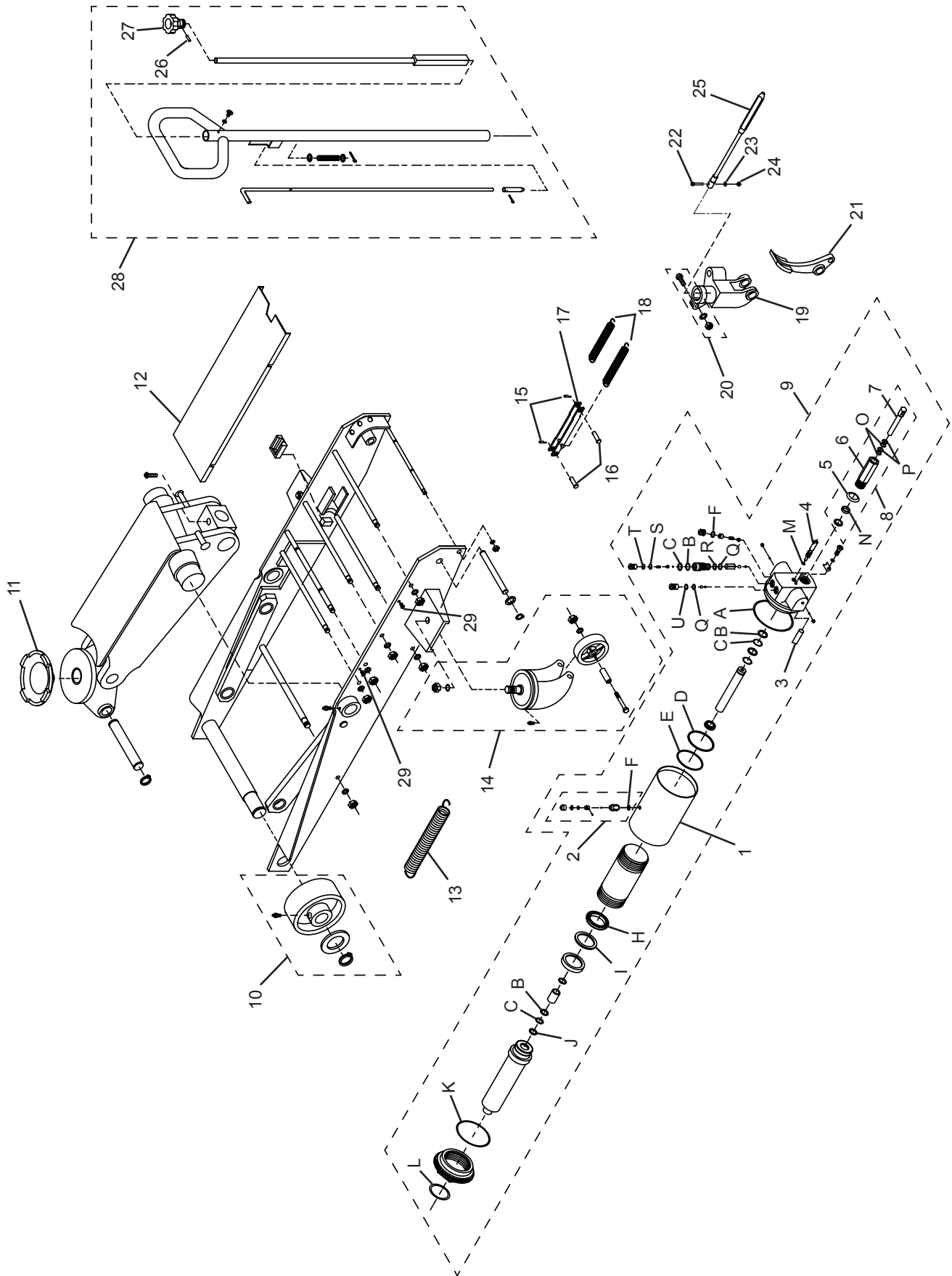
(refer to page 5-9)

Not all components of the jack are replacement items, but are illustrated as a convenient reference of location and position in the assembly sequence. When ordering parts, please give the Model number, part number and parts description. Call or write for current pricing: SFA Companies, 10939 N. Pomona Ave. Kansas City, MO 64153, U.S.A. Tel: (888)332-6419 Fax: (816)891-6599 E-Mail: sales@blackhawk-automotive.com

## Replacement Parts Illustration for Model BH6057



**Replacement Parts Illustration for Model BH6107**



**Replacement Parts List for Model BH6107**

Item	Part No. for:		Description	Qty
	Model BH6057	Model BH6107		
1	G251-20002-100	G661-40002-000	Reservoir	1
2	G62S-03300-200		Air Vent Screw Assy.	1
3	G251-20008-000		Filter	1
4	G251-20004-000		Release Valve	1
5	B300-14002-000		Washer	1
6	G251-23001-000	G651-31002-000	Pump Cylinder	1
7	G251-23002-000	G651-31001-000	Pump Piston	1
8	G251-23000-000	G651-31000-000	Pump Assy.	1
9	G651-90009-K05	G66X-40000-000	Hyd. Power Unit	1
10	G250-90004-K01	G661-90009-K01	Front Wheel Assy.	2
11	G25X-00001-000		Saddle	1
12	G65X-00001-000	G661-00010-000	Cover	1
13	G251-00003-000	G150-00005-000	Return Spring	2
14	G661-90038-K03		Caster Assy.	2
15	5405-02028-000		Retaining Pin	2
16	5405-12036-000		Pin	2
17	G251-60000-000	G661-80000-000	Piston Link	1
18	G251-00004-000	G251-00004-000 (Qty. 2)	Return Spring, Pedal	1
19	G251-00010-000		Handle Fork	1
20	G250-90009-K03		Bolt Assy.	1
21	G251-00009-000		Foot Pedal	1
22	5110-05025-000		Screw	1
23	5303-00005-000		Lock Washer	1
24	5202-00005-000		Nut	1
25	G100-90049-K01		Flex Cable Assembly	1
26	5402-04028-000		Spring Pin	1
27	G251-40001-000		Knob	1
28	G66X-90009-K01	G66X-90009-K01	Handle Assy.	1
29	5110-06010-000		Screw	4
*	G6510S-077 (includes items A-U)	G6610S-121 (includes items A-U)	Repair Kits	1
-	BH6057-L0	BH6107-L0	Label (not shown)	1
-	25048C-M0		Owners Manual	1

## TROUBLESHOOTING

Symptom	Possible Causes	Corrective Action
Jack will not lift load	<ul style="list-style-type: none"> <li>• Release valve not tightly closed</li> <li>• Load is too heavy</li> </ul>	<ul style="list-style-type: none"> <li>• Ensure release valve tightly closed</li> <li>• Consider higher capacity jack</li> </ul>
Jack will lift, but not maintain pressure	<ul style="list-style-type: none"> <li>• Release valve not tightly closed</li> <li>• Hydraulic unit malfunction</li> </ul>	<ul style="list-style-type: none"> <li>• Ensure release valve tightly closed</li> <li>• Discontinue use, contact Blackhawk technical service</li> </ul>
Jack will not lower after unloading	<ul style="list-style-type: none"> <li>• Reservoir overfilled</li> <li>• Linkages binding</li> <li>• Fluid level low</li> </ul>	<ul style="list-style-type: none"> <li>• Drain fluid to proper level</li> <li>• Clean and lubricate moving parts</li> <li>• Ensure proper fluid level</li> </ul>
Poor lift performance	<ul style="list-style-type: none"> <li>• Fluid level low</li> <li>• Air trapped in system</li> </ul>	<ul style="list-style-type: none"> <li>• Ensure proper fluid level</li> <li>• Follow Bleeding/Venting Trapped Air procedure on page 3</li> </ul>
Will not lift to full extension	<ul style="list-style-type: none"> <li>• Fluid level low</li> </ul>	<ul style="list-style-type: none"> <li>• Ensure proper fluid level</li> </ul>



### ONE YEAR LIMITED WARRANTY

For a period of one (1) year from date of purchase, SFA Companies will repair or replace, at its option, without charge, any of its products which fails due to a defect in material or workmanship under normal usage. This limited warranty is a consumer's exclusive remedy.

Performance of any obligation under this warranty may be obtained by returning the warranted product, freight prepaid, to SFA Companies Warranty Service Department, 10939 N. Pomona Ave., Kansas city, MO 64153. Except where such limitations and exclusions are specifically prohibited by applicable law.

(1) THE CONSUMER'S SOLE AND EXCLUSIVE REMEDY SHALL BE THE REPAIR OR REPLACEMENT OF DEFECTIVE PRODUCTS AS DESCRIBED ABOVE.

(2) SFA COMPANIES SHALL NOT BE LIABLE FOR ANY CONSEQUENTIAL OR INCIDENTAL DAMAGE OR LOSS WHATSOEVER.

(3) ANY IMPLIED WARRANTIES, INCLUDING WITHOUT LIMITATION THE IMPLIED WARRANTIES OF MERCHANTABILITY AND FITNESS FOR A PARTICULAR PURPOSE, SHALL BE LIMITED TO ONE YEAR, OTHERWISE THE REPAIR, REPLACEMENT OR REFUND AS PROVIDED UNDER THIS EXPRESS LIMITED WARRANTY IS THE EXCLUSIVE REMEDY OF THE CONSUMER, AND IS PROVIDED IN LIEU OF ALL OTHER WARRANTIES, EXPRESS OR IMPLIED.

(4) ANY MODIFICATION, ALTERATION, ABUSE, UNAUTHORIZED SERVICE OR ORNAMENTAL DESIGN VOIDS THIS WARRANTY AND IS NOT COVERED BY THIS WARRANTY.

Some states do not allow limitations on how long an implied warranty lasts, so the above limitation may not apply to you. Some states do not allow the exclusion or limitation of incidental or consequential damages, so the above limitation or exclusion may not apply to you. This warranty gives you specific legal rights, and you may also have other rights which vary from state to state.

SFA Companies  
 10939 N. Pomona Ave. Kansas City, MO 64153  
 816-891-6390  
[sales@blackhawk-automotive.com](mailto:sales@blackhawk-automotive.com)