



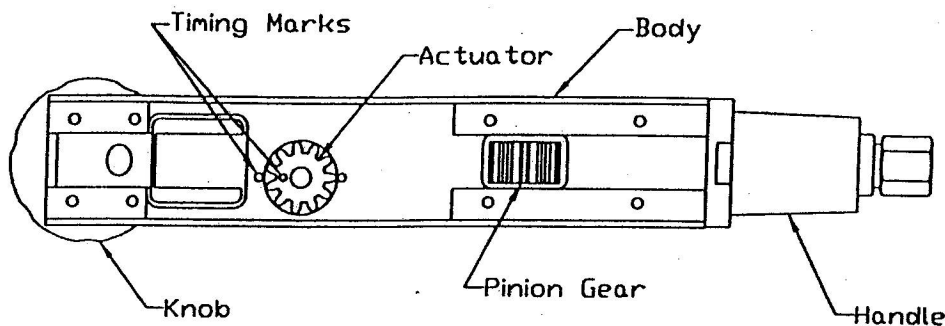
## VIKING V101 TIMING PROCEDURE

### STEP 1

Disassemble tool, remove six screws from the side straps, remove side straps, remove carrier, then inspect all gears to make sure that they are not chipped, worn, etc.

### STEP 2

Lay the tool on its side with the knob to the left and the handle to the right. Install the actuator gear into the center hole of the body; make sure that the actuator gear is properly engaged by being flush with the body. Turn the actuator gear so that both timing marks line up (9 o'clock position).

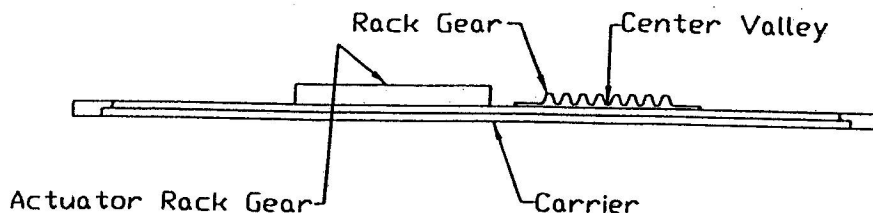


### STEP 3

Make sure that the pinion gear turns freely in each direction. Then rotate the pinion gear towards the center of the tool until it stops. Then rotate the gear in the opposite direction until the next tooth is centered. Rotate the pinion gear in the same direction, four more teeth. The pinion gear is now centered.

### STEP 4

Locate the center valley of the rack gear, located on the carrier. While aligning this valley with the center tooth of the pinion gear, also align the center of the actuator rack gear with the center tooth of the actuator gear. Use extreme care not to move any of the previously timed gears on the body of the tool.



### STEP 5

Place the side strap onto the tool, align all three holes. Using MM115 thread locker, from the center out insert and tighten the screws. Flip the tool over and do the same to the other side. Use extreme care not to move the carrier in this operation. Make sure that the carrier moves freely and is close fitting. A small hammer may be used to lightly tap the side straps until the carrier is close fitting, but not tight. If this does not work, repeat, beginning with step one through four.

# Installation Instructions

## Viking V600 & V603

## Dust Extraction Conversion Kit for V100 & V101

### TOOLS AND MATERIALS REQUIRED:

#2 Phillips screwdriver, 3/8" - 7/16" wrench, 1/8" and 5/32" allen wrenches and a dry cloth.

**Step 1.** Remove old sanding pad from the tool to be converted to the dust extraction sander.

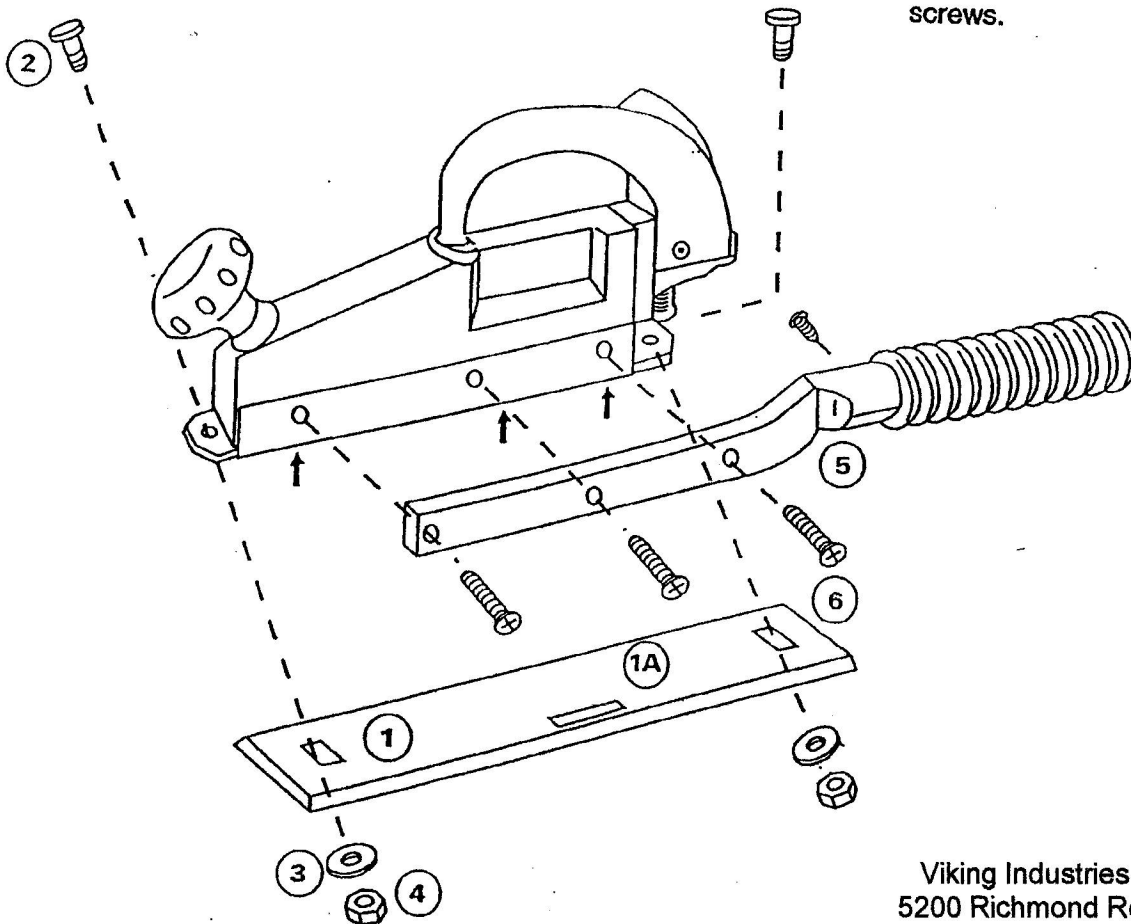
**Step 2.** Clean the bottom of sanding shoe carrier. **Important:** Make sure that carrier is straight.

**Step 3.** Attach dust extracting shoe (1), extraction opening (1A) on left side of tool, with the provided bolts (2), washers (3) and nuts (4). **For your safety:** Place bolt heads through the top of carrier as shown to reduce pinch hazard on carrier.

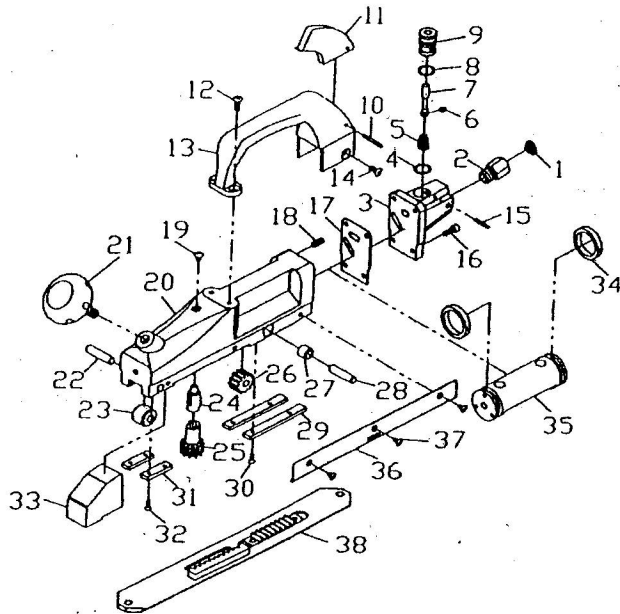
**Step 4.** Remove screws from the side of the sander body where indicated by arrows. Clean side strap surface.

**Step 5.** Place the tool on a flat surface (shoe down) and install dust extraction tube (5) with the provided screws (6).

**Step 6.** With light pressure, push down on extraction tube while tightening screws. The extraction tube will be in light contact with shoe surface. No visible gap should be apparent between tube and shoe. If a gap exists, push down a little harder while tightening the screws.



Viking Industries  
5200 Richmond Rd.  
Cleveland Ohio 44146  
800-253-9726  
Fax 216-831-9573



**IMPORTANT**  
 OIL DAILY, Minimum of 10  
 drops of Long Life Pneumatic  
 or Lightweight Non-Detergent  
 Oil into the Air Inlet.

Item	Part No.	Description	Qty.	Item	Part No.	Description	Qty.
1	51017	Inlet Screen	1	20	15000WA	Body Assembly	1
2	31017-1	Inlet Bushing	1	21	11900 W	Knob Assembly	1
3	15033	Rear Head	1	22	11301 R	Dowel Pin	1
4	40001A	O-Ring	1	23	15041 W	Roller	1
5	15053	Trigger Spring	1	24	15018 W	Rotary Valve	1
6	40002A	O-Ring	1	25	11700 R	Actuator Gear	1
7	15008	Trigger Stem	1	26	15019 R	Pinion Gear	1
8	40001A	O-Ring	1	27	11302 R	Needle Bearing	2
9	30207	Trigger Body	1	28	11301 R	Dowel Pin	1
10	50001-1	Rollpin	1	29	12101 R	Bearing Strip	2
11	11103	Trigger	1	30	12102 R	Screw	4
12	11106	Screw	2	31	15037 R	Bearing Strip	2
13	11100	Handle	1	32	12102 R	Screw	4
14	11107	Screw	2	33	15038 R	Muffler Pad	1
15	30302	Rollpin	1	34	11204 R	Piston Ring	2
16	11002	Screw	4	35	15014WA	Piston Assembly	1
17	15013 R	Gasket	1	36	15017 W	Slide Strap	2
18	15039	Jet Screw	1	37	11602 R	Screw	6
19	15024	Screw	1	38	15020WA	Carrier Assembly	1

**NOTES:**

PAPER SIZE: 2 3/4" X 11"  
 SPEED RATING: 2200 SPM  
 RATED AIR PRESSURE: 90 PSI  
 AVG AIR CONSUMPTION: 4 CFM  
 AIR INLET SIZE: 1/4" NPT  
 HOSE SIZE: 3/8" ID

**AVAILABLE EQUIPMENT**

VIKING NO.	DESCRIPTION
V509	VIKING PNEUMATIC OIL, 1-OZ.
V511	VIKING PNEUMATIC OIL, QUART
V512	VIKING PNEUMATIC OIL, 4-OZ.
V514	SANDING SHOE (STICK-IT)
V515	SANDING SHOE (KLIP TYPE)
V543	DUSTLESS KIT

**IMPORTANT:** To assure product safety and reliability, repairs  
 maintenance and adjustments should be performed by  
 Viking Air Tools, Inc., always using VIKING replacement parts.

**VIKING AIR TOOLS**  
**SINGLE PISTON**  
**STRAIGHT LINE SANDER**  
**CATALOG NO. V101**

ITEM	PART NO.	DESCRIPTION	QTY
1	15000	MAIN BODY	1
2	15033	REAR HEAD	1
3	15006	TRIGGER ASSY	1
4	30302	ROLL PIN	1
5	11002	SCREW, SOC HEAD	4
6	15101	HANDLE	1
7	11103	TRIGGER	1
8	11105	PIN, TRIGGER	1
9	11107	SREWS, HANDLE	2
10	15013	GASKET	1
11	15014	PISTON ASSY	1
12	11204	PISTON RING	2
13	11900	KNOB	1
14	15016	SIDE STRAP	2
15	11602	SCREW	6
16	11106	SCREW	2
17	15018	ROTARY VALVE	1
18	11700	ACTUATOR	1
19	15019	PINION GEAR	1
20	11301	SHAFT, BEARING	2
21	15037	STRIP, FRT BEARING	2
22	12101	STRIP, REAR BEARING	2
23	12102	SCREW	8
24	15020	CARRIER	1
25	V514	SANDING SHOE ASSY	1
26	15034	BOLT, SHOE	2
27	11506	NUT, SHOE	2
29	11008	ADAPTER	1
32	11302	BEARING, PINION	2
33	15038	PAD, MUFFLER	1
35	15041	ROLLER	1

**NOTES:**

PAPER SIZE: 2-3/4" X 11"

RATED AIR PRESSURE: 90 PSI

AVG AIR CONSUMPTION: 4 CFM

AIR INLET SIZE: 1/4" NPT

HOSE SIZE: 3/8" ID

SPEED RATING: 2200 SPM

**AVAILABLE EQUIPMENT**

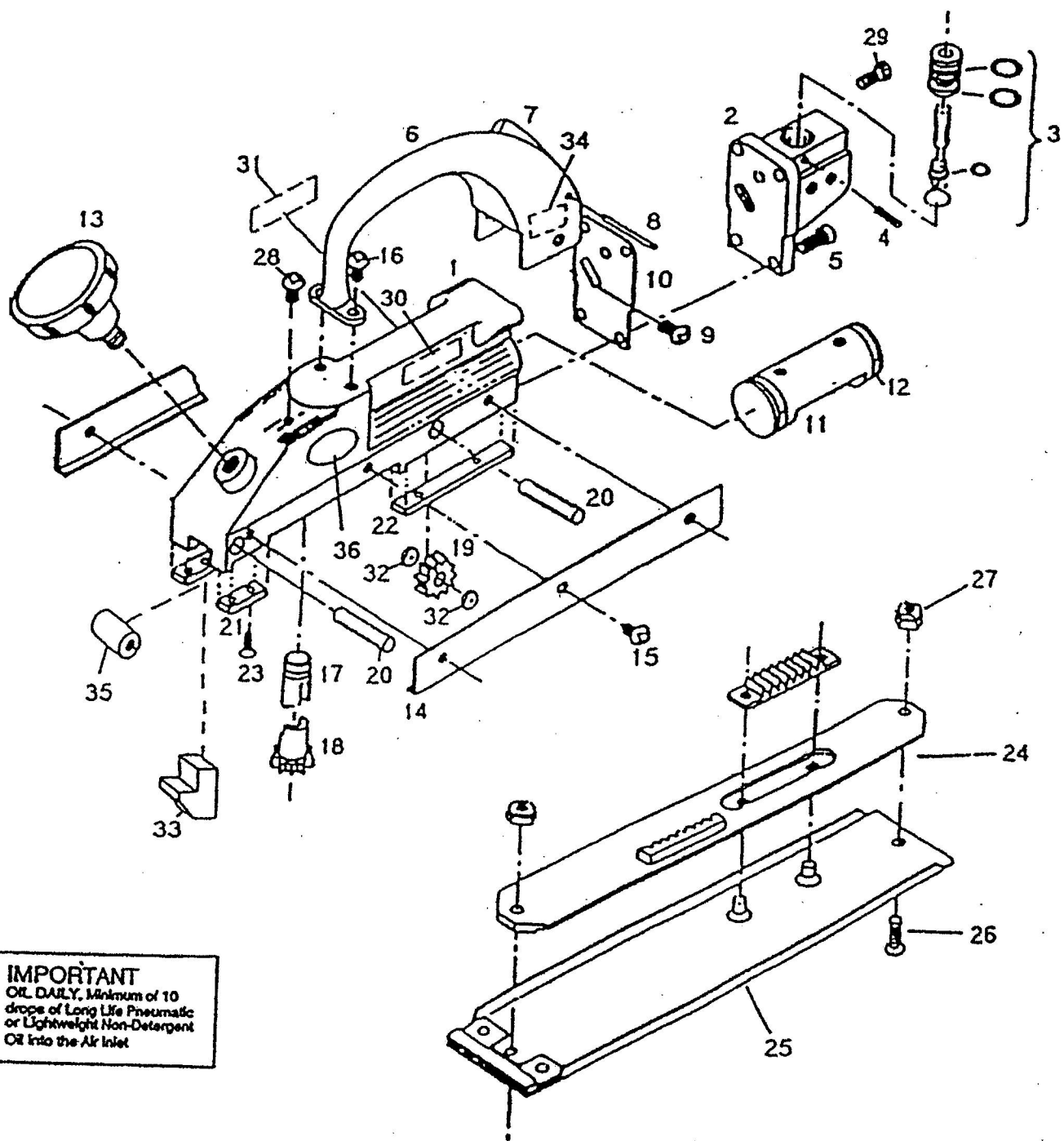
PART NO	DESCRIPTION
V515	SANDING SHOE (KLIP TYPE)
V514	SANDING SHOE (STICK IT)
V509	VIKING PNEUMATIC OIL, 1-OZ.
V511	VIKING PNEUMATIC OIL, QUART
V512	VIKING PNEUMATIC OIL, 4-OZ.
V603	DUSTLESS KIT

**IMPORTANT:** To assure product safety and reliability, repairs, maintenance, and adjustments should be performed by Viking Air Tools, Inc., always using VIKING replacement parts.

Viking Industries  
5200 Richmond Rd.  
Cleveland Ohio 44146

800-253-9726  
Fax 216-831-9573

**VIKING AIR TOOLS**  
**MiniVike™ STRAIGHT LINE**  
**SANDER V101**



**IMPORTANT**  
 OIL DAILY. Minimum of 10  
 drops of Long Life Pneumatic  
 or Lightweight Non-Detergent  
 Oil into the Air Inlet

**IMPORTANT:** To assure product safety and reliability, repairs,  
 maintenance, and adjustments should be performed by  
 Viking Air Tools, Inc., always using VIKING replacement parts.

Viking Industries  
 5200 Richmond Rd.  
 Cleveland Ohio 44146

800-253-9726  
 Fax 216-831-9573

**VIKING AIR TOOLS**  
**MiniVike™ STRAIGHT LINE**  
**SANDER V101**