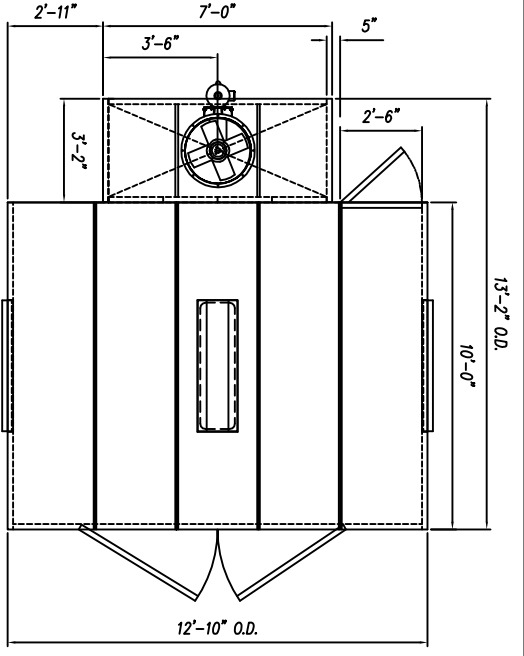
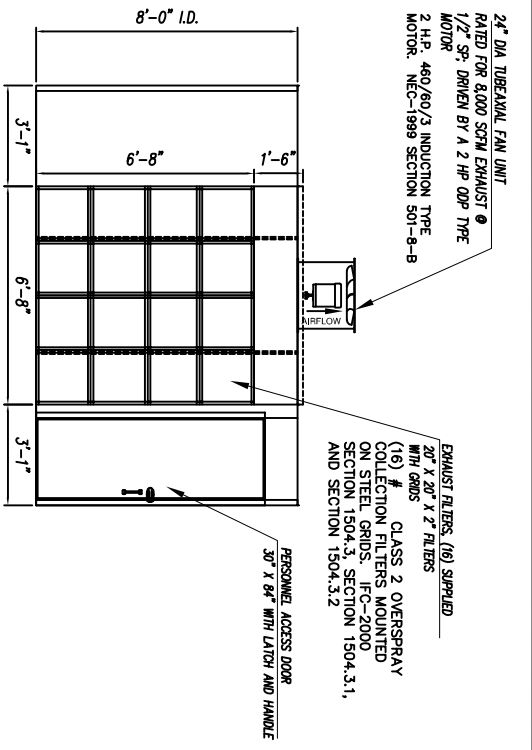


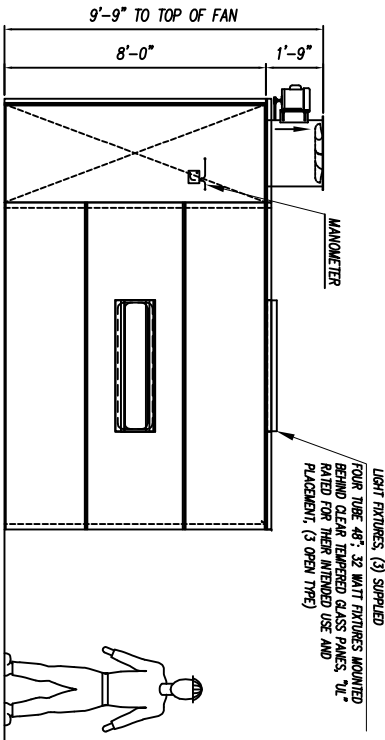
THE ASSEMBLY DRAWINGS YOU HAVE RECEIVED ARE FOR GENERAL REFERENCE. OPTIONAL ACCESSORIES MAY NOT BE SHOWN AS PROVIDED. PLEASE REFER TO YOUR PURCHASE ORDER FOR A COMPLETE DESCRIPTION OF YOUR BOOTH ORDER.



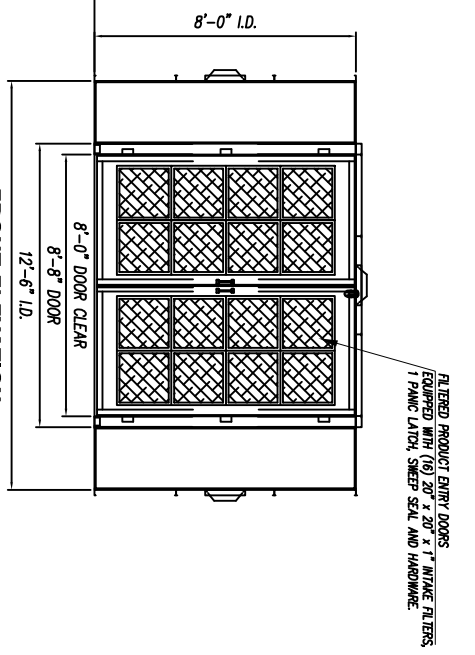
PLAN VIEW



REAR ELEVATION



BOOTH SIDE ELEVATION



FRONT ELEVATION

SEE ORDER ACKNOWLEDGMENT FOR COMPLETE LIST OF PROVIDED STACK COMPONENTS

BOOTH WALLS & CEILING PANELS FABRICATED OF G-90 18 GA. GALVANIZED STEEL IN ACCORDANCE WITH THE IFC-2000 SECTION 1504.1.2.1 & NFPA -33 CHAPTER 5.1

DESIGNED BY	Auto Body TOOLMART
DRAWN BY	S.K.
CHECKED BY	D.P.
DATE	12-24-06
PROJECT	8710- MOTORCYCLE BOOTH
APPROVED BY	JOB NO. 20027 PNC. NO. 8710
	1-800-322-1200
	AUTO BODY TOOLMART
	YEK DESIGNS
	8710- MOTORCYCLE BOOTH
	SHEET 1 OF 2