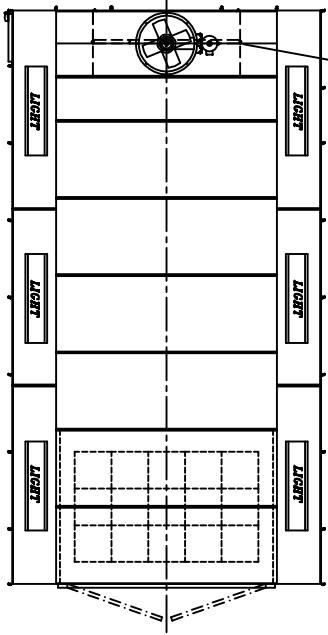


EXHAUST FILTERS (16) SUPPLIED
20" X 20" X 2" FILTERS
WITH GRIDS

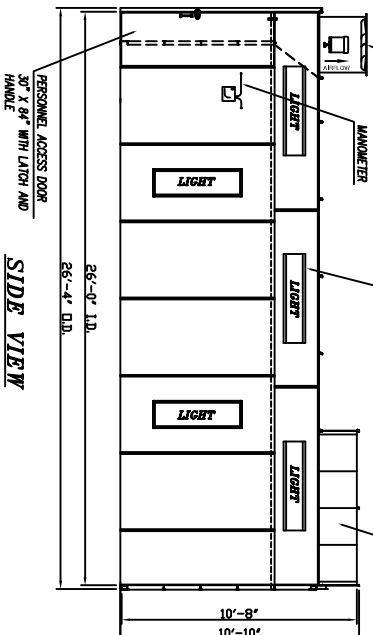


TOP VIEW

30" DIA. TUBERAKAL FAN UNIT
RATED FOR 12600 CFM EXHAUST @
1/2" SP. OPEN BY A 3 HP ODP TYPE
MOTOR

LIGHT FIXTURES (10) SUPPLIED
FOUR TUBE 40" X 2" WATT FIXTURES
MOUNTED BEHIND CLEAR TEMPERED GLASS
PANELS. "UL" RATED FOR THEIR INTENDED
USE AND PLACEMENT. (10 OPEN TYPE)

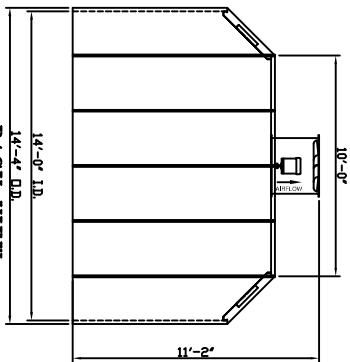
INTAKE FILTERS (23) SUPPLIED
20" X 20" X 2" FILTERS
WITH GRIDS



SIDE VIEW

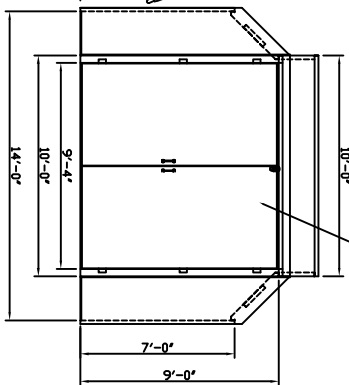
26'-0" LD.
26'-4" O.D.

PERSONNEL ACCESS DOOR
30" X 24" WITH LATCH AND
HANDLE



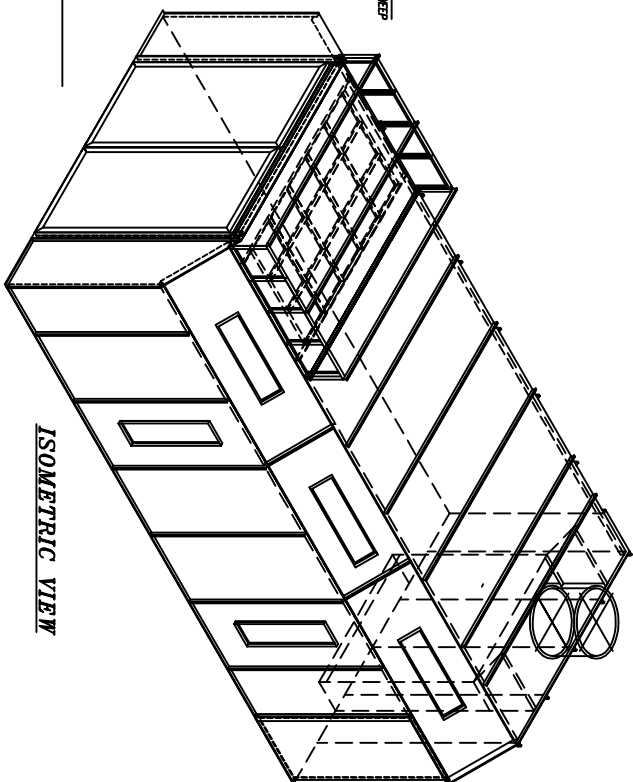
BACK VIEW

SOLID PRODUCT ENTRY DOORS
EQUIPPED WITH 1" RAIN LATCH, SWEEP
SEAL AND HANDRAIL



FRONT VIEW

10'-0"
14'-0" LD.
9'-4"
10'-0"
7'-0"
9'-0"



ISOMETRIC VIEW

MECHANICAL NOTES:
ALL PANELS ARE 18 GA. GALVANIZED STEEL
WITH PRE-PUNCHED HOLES 6" ON CENTER.
BOOTH MOUNTS TO 18 GA. FLOOR RAIL
IS BOLTED TO BOOTH AND ANCHORED
NPPA 33, UFG 45 AND NEC 516
ALL DOORS ARE EQUIPPED WITH
ACTIVATED SAFETY LATCHES

ELECTRICAL NOTES:
LIGHTS ARE 120 VOLT FLUORESCENT 4 TUBES
FIXTURES ARE FULLY COVERED AND GASKETED.
LIGHTS ARE MOUNTED ON TEMPERED
(LIGHT BULBS ARE NOT INCLUDED)

AIR FLOW NOTES:
1-30" DIA. TUBERAKAL EXHAUST FAN WITH 3HP 3PH
O.D.P. MOTOR (12600 CFM AT 1/2" S.P.)
16" - 20" X 20" EXHAUST FILTER CELLS WITH WIRE
RETAINER GRIDS. FILTERS ARE 2" THICK PAINT ARRESTORS
20" - 20" X 20" TACKY INTAKE FILTERS WITH INTERNAL
WIRE FRAME. FILTERS ARE MOUNTED IN ENTRY DOORS
1 EA. MANOMETER DRAFT GAGE SUPPLIED WITH SPRAY BOOTH

THE ASSEMBLY DRAWINGS YOU HAVE RECEIVED ARE
FOR INFORMATION ONLY. THEY DO NOT REPRESENT THE
FINAL MANUFACTURING DRAWINGS. PLEASE REFER TO YOUR
PURCHASE ORDER FOR A COMPLETE DESCRIPTION OF
YOUR BOOTH ORDER.

APPROVAL DRAWING
MANUFACTURING WILL AWAIT APPROVAL
END USER SIGNATURE: _____
SUPPLY VOLTAGE: _____

**Auto Body
TOOLMART**
1-800-382-1200

Semi Down Flow Spray Booth - USA

MODEL 8550

26' Deep x 14' Wide x 9'HIGH

Date: 7-9-03

Job Name:

301-1409-26-01-02